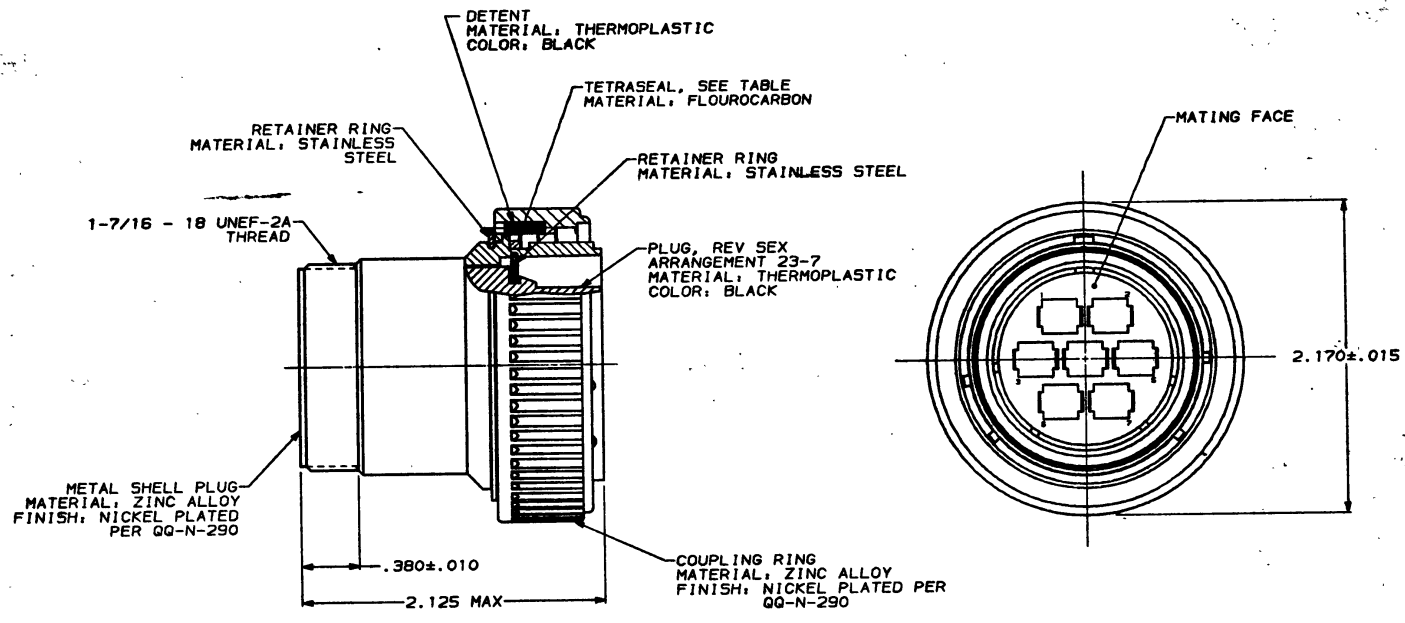


DRAWING MADE IN THIRD ANGLE PROJECTION
 THIS DRAWING IS UNPUBLISHED. RELEASED FOR PUBLICATION
 BY AMP INCORPORATED. ALL INTERNATIONAL RIGHTS RESERVED.

NO		REV	DATE	BY	CHK	APPD	DESCRIPTION	DATE	APPD
23	BD	35					N REDRAWN	8-27-91	-
							P REV PER ECN B05454	05/28/92	RB



- 208484-1 MATES WITH AMP RECEPTACLE 208485-1 OR -2. 208484-3 MATES WITH AMP RECEPTACLE 208485-1 ONLY.
- AMP PART NUMBER AND DATE CODE TO BE LOCATED ON COUPLING RING.

YES	208484-3
NO	208484-1
TETRASEAL	PART NUMBER

DO NOT SCALE PRINT. UNLESS SPECIFIED DIMENSIONS IN INCHES TOLERANCES ON: 1/2 PLC DEC ± - 1/16 PLC DEC ± - ANGLES ± - MATERIAL SEE CALLOUT FINISH SEE CALLOUT WEIGHT	DR 8-27-91 R. LEE B6	AMP Incorporated Harrisburg, PA 17108-3808
	CHK 4-20-92 W. G. LENKER	
	APPD 4-20-92 K. BEAVER	NAME
	APPD 4-20-92 C. RONCE	PLUG ASSEMBLY, REV SEX, SERIES 3, 28-7, CMC
	PRODUCT SPEC 108-10040	SIZE CAGE CODE DRAWING NO 00779 208484
	APPLICATION SPEC	SCALE SHEET 1 OF 1 2:1

CUSTOMER DRAWING