

4

3

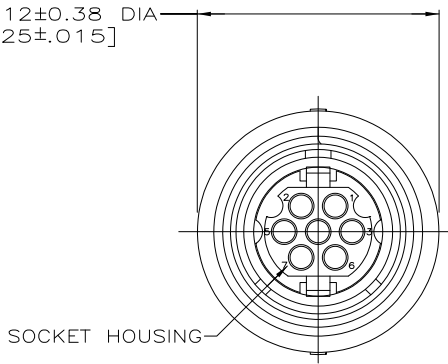
2

1

THIS DRAWING IS UNPUBLISHED. RELEASED FOR PUBLICATION
 © COPYRIGHT - By - ALL RIGHTS RESERVED.

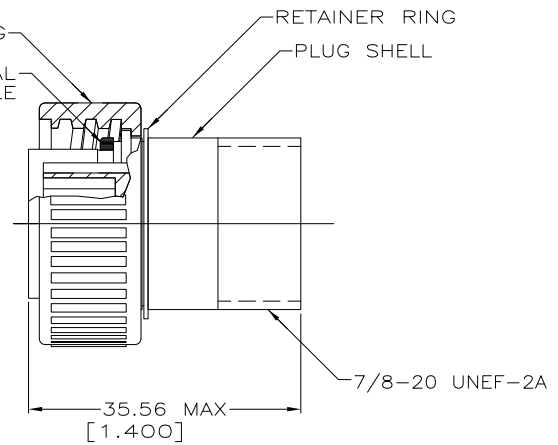
LOC		DIST		REVISIONS				
P	LTR	DESCRIPTION			DATE	DWN	APVD	
	H1	REVISED PER ECO-11-005027			11MAR11	RK	HMR	

31.12±0.38 DIA
 [1.225±.015]



SOCKET HOUSING

COUPLING RING
 TETRASEAL
 SEE TABLE



35.56 MAX
 [1.400]

7/8-20 UNEF-2A

1. THIS CONNECTOR ACCEPTS SEVEN (7) SIZE 16 MULTIMATE SOCKET CONTACTS, MAXIMUM WIRE INSULATION DIA = 2.67 [.105].
 2. THIS CONNECTOR MATES WITH AMP PART NUMBER 208715-1.
 3. AMP PART NUMBER AND DATE CODE TO BE LOCATED ON COUPLING RING.
- NICKEL PER QQ-N-290 OVER COPPER PER MIL-C-14550.
 ZINC PER QQ-Z-363.

YES	208714-2
NO	208714-1
SEAL	PART NO

THIS DRAWING IS A CONTROLLED DOCUMENT.		DWN D.HARDY 05/23/94	TE Connectivity PLUG ASSEMBLY, STANDARD SEX, SERIES 1, 14-7, CMC	
DIMENSIONS: INCHES		CHK C.DORWART 05/24/94		
TOLERANCES UNLESS OTHERWISE SPECIFIED:		APVD A.FRANTUM 07/13/94	NAME	
0 PLC ± - 1 PLC ± - 2 PLC ± - 3 PLC ± - 4 PLC ± - ANGLES ± -		PRODUCT SPEC	RESTRICTED TO	
		APPLICATION SPEC	SIZE A3	CAGE CODE 00779
MATERIAL SKT HSS: TERMOPLASTIC, BLACK SEAL: FLUOROCARBON ELASTOMER RING RING: STAINLESS STEEL PLUG RING: A PLUG SHELL: A		WEIGHT	DRAWING NO C-208714	SCALE 2:1
FINISH PLUG RING: A PLUG SHELL: A		CUSTOMER DRAWING	SHEET 1 OF 1	REV H1