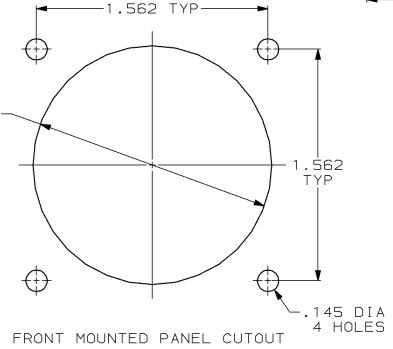
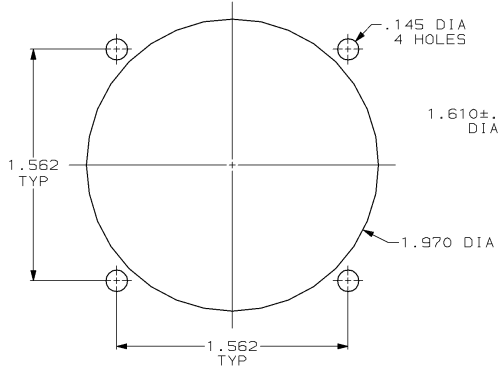
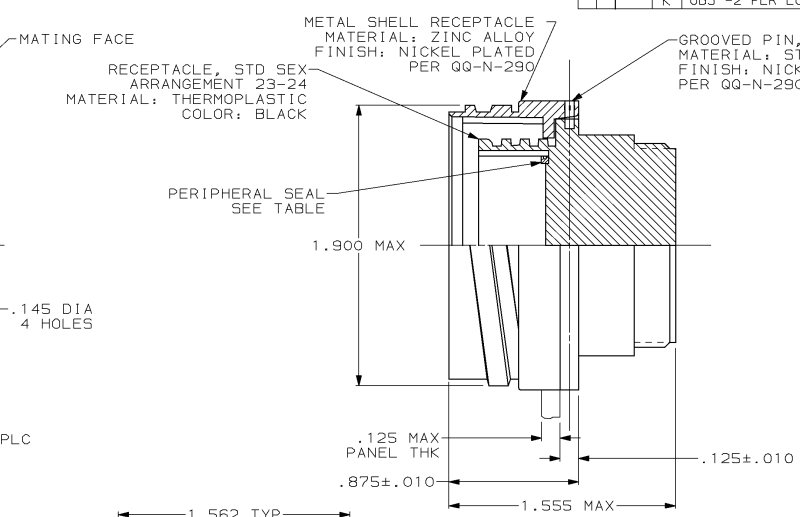
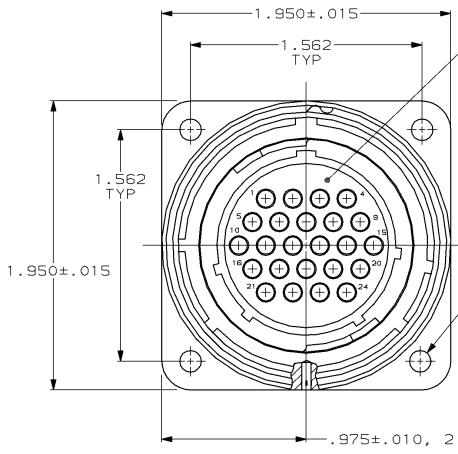


DRAWING MADE IN THIRD ANGLE PROJECTION
 THIS DRAWING IS UNPUBLISHED. RELEASED FOR PUBLICATION
 © COPYRIGHT 19 BY AMP INCORPORATED. ALL INTERNATIONAL RIGHTS RESERVED.

MOD	LOC	DIST	P	F	ZONE	LTR	DESCRIPTION	DATE	APPD
4	BD	35				J	REDRAWN	6-22-91	-
						K	OBS -2 PER EC 0020-0394-93	11/17/94	RK



OBSELETE	YES	208459-2
	NO	208459-1
	PERIPHERAL SEAL	PART NUMBER

- 208459-1 MATES WITH AMP PLUG 208457-1 OR -3. 208459-2 MATES WITH 208457-1 ONLY.
- AMP PART NUMBER AND DATE CODE TO BE LOCATED ON EDGE OF FLANGE.

DO NOT SCALE PRINT. UNLESS SPECIFIED DIMENSIONS IN INCHES TOLERANCES ON : 2 PLC DEC # - 3 PLC DEC # .005 ANGLES ± -	DR 6-22-91 R.LEE '86 CHK 4-15-92 W.G.LENKER APPD 4-15-92 K.BEAVER	AMP AMP Incorporated Harrisburg, PA 17105-3608	
MATERIAL SEE CALLOUT	APPD 4-15-92 C.RHODE PRODUCT SPEC 108-10040	NAME RECEPTACLE ASSEMBLY, STD SEX, SERIES 1, 28-24, CMC	
FINISH SEE CALLOUT	APPLICATION SPEC -	SIZE C 00779	DRAWING NO 208459
WEIGHT -		SCALE 2:1	SHEET 1 OF 1

208459