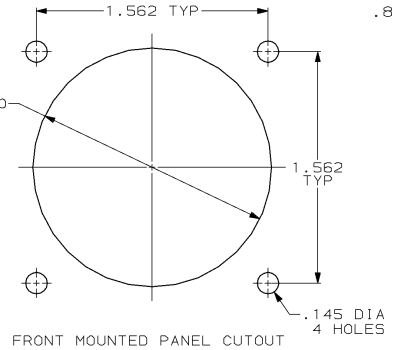
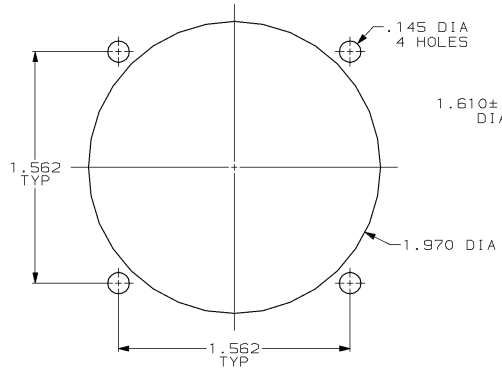
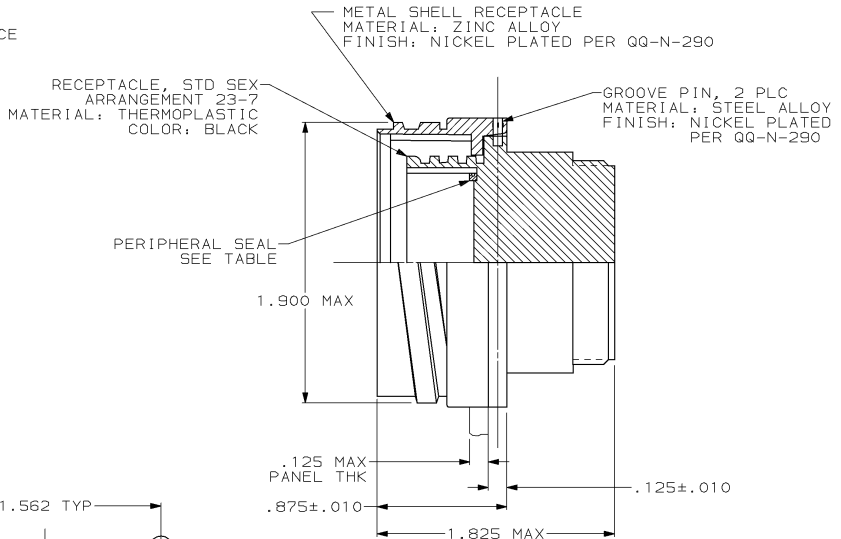
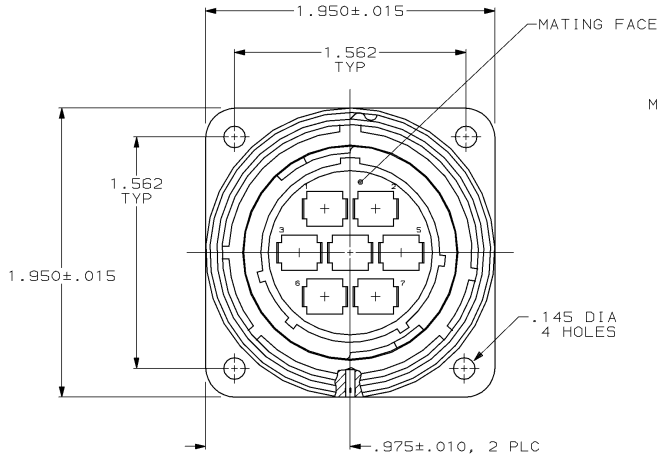


DRAWING MADE IN THIRD ANGLE PROJECTION  
 THIS DRAWING IS UNPUBLISHED. RELEASED FOR PUBLICATION  
 © COPYRIGHT 19 BY AMP INCORPORATED. ALL INTERNATIONAL RIGHTS RESERVED.

REVISONS		DATE	APPD
BD	35	6-27-91	-
		17 JUL 95	AF



OBSOLETE	YES	208483-2
	NO	208483-1
PERIPHERAL SEAL		PART NUMBER

- 208483-1 MATES WITH AMP PLUG 208482-1 OR -3. 208483-2 MATES WITH 208482-1 ONLY.
- AMP PART NUMBER AND DATE CODE TO BE LOCATED ON EDGE OF FLANGE.

DO NOT SCALE PRINT. UNLESS SPECIFIED DIMENSIONS IN INCHES TOLERANCES ON :	DR 6-27-91 R.LEE '86	AMP Incorporated Harrisburg, PA 17105-3608
2 PLC DEC ± - 3 PLC DEC ± .005 ANGLES ± -	CHK 4-15-92 W.G.LENKER APPD 4-15-92 K.BEAVER	
MATERIAL	APPD 4-15-92 C.RHODE	NAME RECEPTACLE ASSEMBLY, STD SEX, SERIES 3, 28-7, CMC
SEE CALLOUT	PRODUCT SPEC 108-10040	SIZE C 00779
FINISH	APPLICATION SPEC -	DRAWING NO 208483
SEE CALLOUT	WEIGHT -	SCALE 2:1
		SHEET 1 OF 1