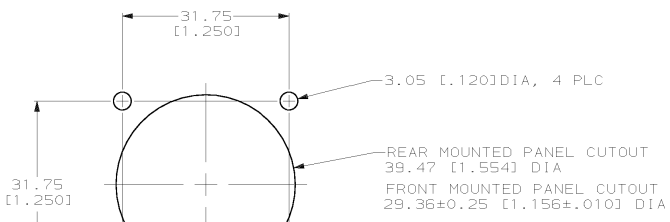
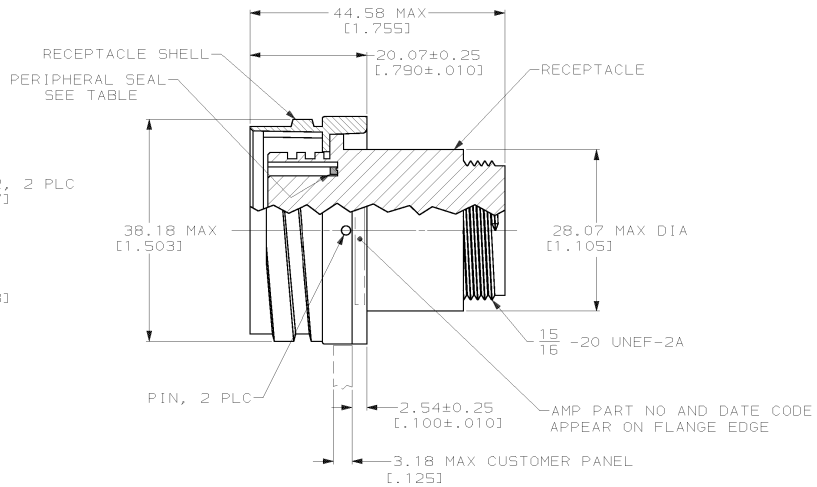
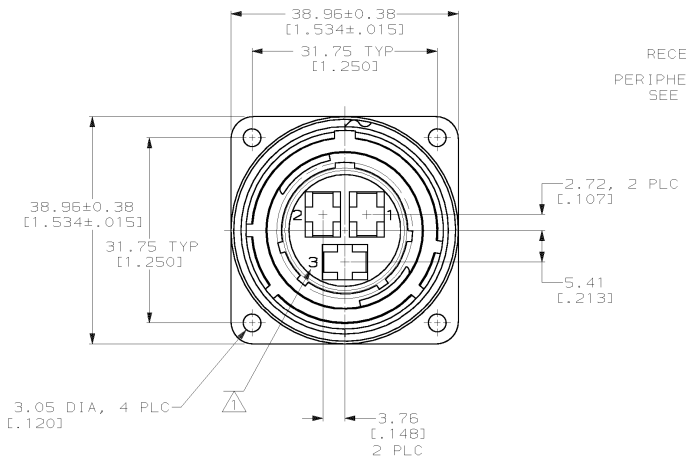


DRAWING MADE IN THIRD ANGLE PROJECTION
 THIS DRAWING IS UNPUBLISHED. RELEASED FOR PUBLICATION
 © COPYRIGHT 19 BY AMP INCORPORATED. ALL INTERNATIONAL RIGHTS RESERVED.

REV	DATE	DESCRIPTION	APPD
G	1-29-92	REDRAW ON CAD	KB
H	11/17/94	OBS -1 PER EC 0020-0394-93	RK
J	15 JAN 99	REACTIVATE -1 PER EC 061C-0002-99	MC



YES	208497-2
NO	208497-1
PERIPHERAL SEAL	PART NO

- 1. CAVITY IDENTIFICATION CHARACTERS ON FRONT AND REAR FACE.
- 2. RECEPTACLE WILL ACCEPT 3 TYPE XII SOCKET CONTACTS.
- 3. 5.08µm [0.000200] MIN NICKEL OVER 10.16µm [0.000400] MIN COPPER.

DO NOT SCALE PRINT. UNLESS SPECIFIED DIMENSIONS IN mm (INCHES) TOLERANCES ON : 2 PLC DEC ± 0.13(.005) 3 PLC DEC ± - ANGLES ± -		DR 1-29-92 K.G. LENKER	AMP Incorporated Harrisburg, PA 17105-2608	
MATERIAL RECEPTACLE: NYLON, BLACK RCPT SHELL: ZINC PERIP SEAL: ELASTOMER, GREY PIN: CARBON STEEL		CHK 3-11-92 R. STONE		
FINISH RCPT SHELL: 3 PIN: NICKEL PLATED		APPD 2-12-92 K. BEAVER	NAME RECEPTACLE ASSEMBLY, 22-3, REV SEX, CMC	
APPLICATION SPEC		PRODUCT SPEC	SIZE C	CAGE CODE 00779
WEIGHT			DRAWING NO 208497	SHEET 1 OF 1