

4

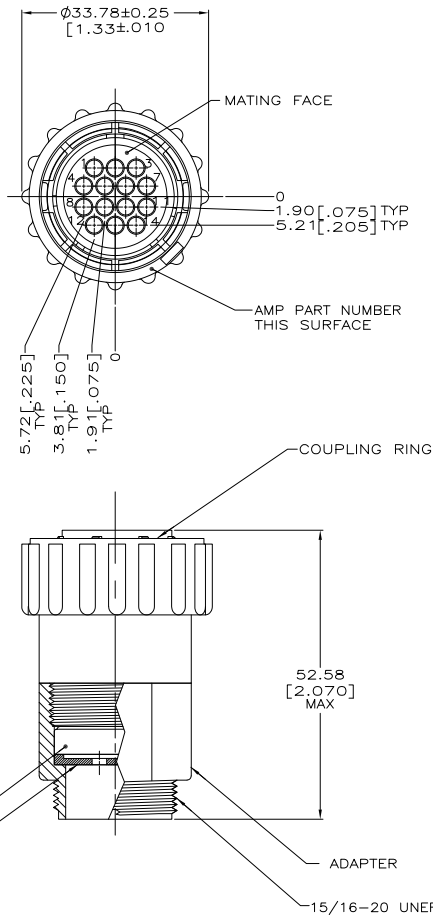
3

2

1

THIS DRAWING IS UNPUBLISHED. RELEASED FOR PUBLICATION.
 © COPYRIGHT BY TYCO ELECTRONICS CORPORATION. ALL INTERNATIONAL RIGHTS RESERVED.

LOC	DIST	REVISIONS			
F	LN	DESCRIPTION	DATE	BY	APPD
C		REVISE PER ECO-06-004471	11/18/08	SS	BC



- ⚠ HOUSING, ADAPTER AND PRESSURE PLATE: NYLON, BLACK.
 WIRE ENTRY SEAL: ELASTOMER, RED-IRON OXIDE.
 PERIPHERAL SEAL: ELASTOMER, GREY.
 COUPLING RING: POLYPHENYLENE, BLACK.
- 2. CONNECTOR WILL ACCEPT (14) MULTIMATE PIN CONTACTS.
- ⚠ METAL COUPLING RING.

796271-2
796271-1
PART NUMBER

THIS DRAWING IS A CONTROLLED DOCUMENT.		DWG L. McEACHIN 27-JAN-2000	Tyco Electronics Corporation Harrisburg, PA 17105-3608	
DIMENSIONS: mm		CHK K. DOWNHOWER 27-JAN-2000	NAME ASSEMBLY, PLUG, REV SEX, 17-14, SEALED	
TOLERANCES UNLESS OTHERWISE SPECIFIED:		APD K. DOWNHOWER 27-JAN-2000	PRODUCT SPEC APPLICATION SPEC WEIGHT	
MATERIAL FINISH		SIZE A2 00779 C=796271		RESTRICTED TO
- ⚠		CUSTOMER DRAWING		SCALE 2:1 SHEET 1 of 1 REV C

1471-9 (1/08)

796271

A