

4

3

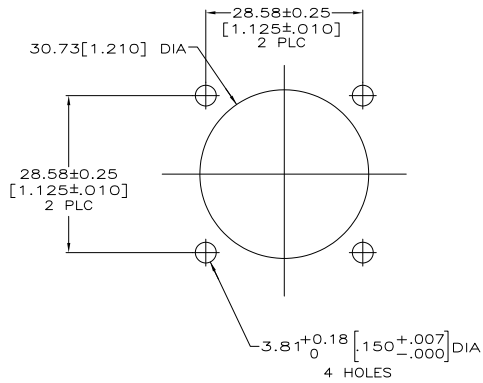
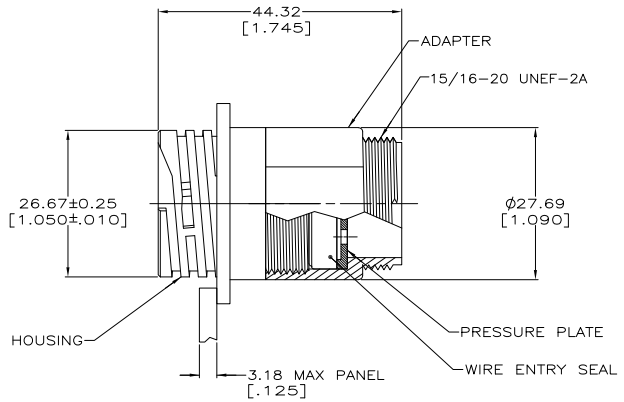
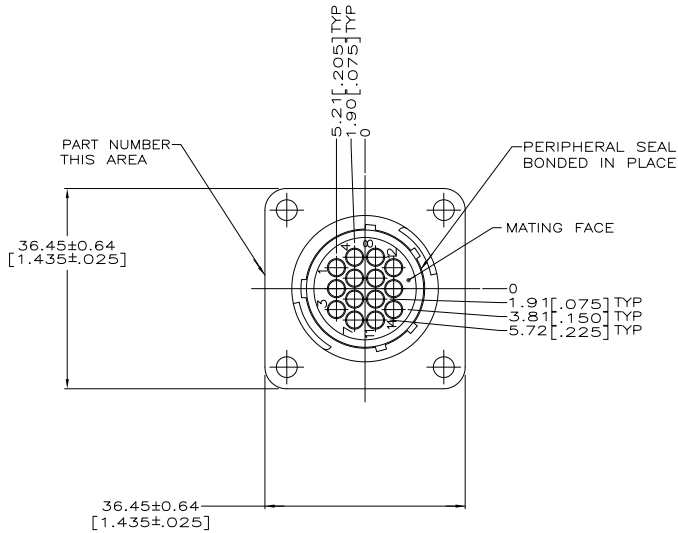
2

1

THIS DRAWING IS UNPUBLISHED. RELEASED FOR PUBLICATION
 © COPYRIGHT - By - ALL RIGHTS RESERVED.

LOC	DIST	REVISIONS		
F	LNR	DESCRIPTION	DATE	BY
FT	0			
	B1	REVISED PER ECO-11-005027	11MAR11	RK HMR

- △ HOUSING, ADAPTER AND PRESSURE PLATE: NYLON, BLACK.
 WIRE ENTRY SEAL: ELASTOMER, RED-IRON OXIDE.
 PERIPHERAL SEAL: ELASTOMER, GREY.
2. CONNECTOR WILL ACCEPT (14) MULTIMATE SOCKET CONTACTS.



RECOMMENDED PANEL CUTOUT

796272-1
 PART NUMBER

THIS DRAWING IS A CONTROLLED DOCUMENT.		DWN L. McEACHIN 27-JAN-2000	TE Connectivity
DIMENSIONS: mm [INCHES]		CHK K. DOWNHOWER 27-JAN-2000	
TOLERANCES UNLESS OTHERWISE SPECIFIED:		APPD K. DOWNHOWER 27-JAN-2000	NAME ASSEMBLY, RECEPTACLE, REVERSE SEX 17-14, SQUARE FLANGE, SEALED
0 PLC	±	APPLICATION SPEC	SIZE A2
1 PLC	±	WEIGHT	CAGE CODE 00779
2 PLC	±	FINISH	DRAWING NO 796272
3 PLC	±		RESTRICTED TO
4 PLC	±		
ANGLES	±		
MATERIAL		CUSTOMER DRAWING	SCALE 2:1
FINISH			SHEET 1 of 1
			REV B1

1471-9 (3/11)

796272

A