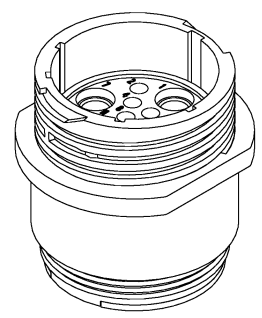
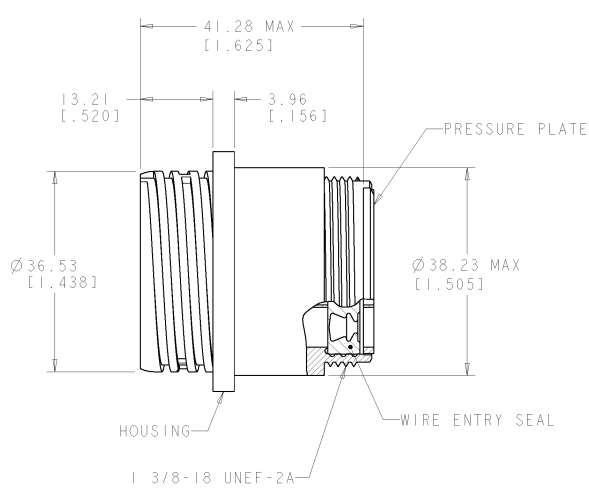
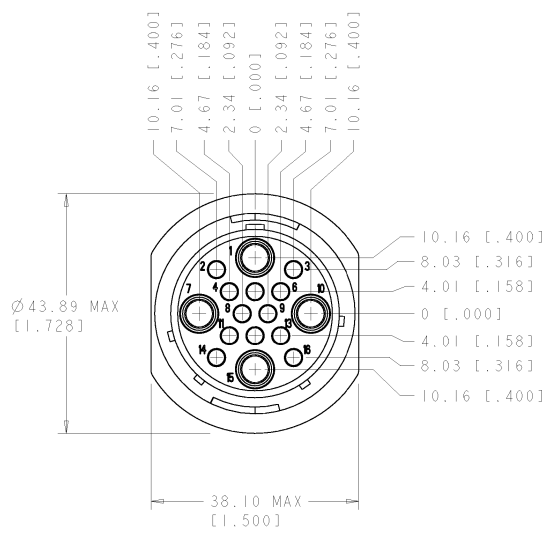


THIS DRAWING IS UNPUBLISHED. RELEASED FOR PUBLICATION  
 (C) COPYRIGHT © BY AMP INCORPORATED. ALL RIGHTS RESERVED.

REVOLUTIONS		REVISIONS	DATE	DRAWN	APPROVED
F	LTR	DESCRIPTION			
0		RLSE NPR 5728, WAS 97-7970-1	09SEP99	SW	ND



△ HOUSING & PRESSURE PLATE: NYLON, BLACK.  
 WIRE ENTRY SEAL: ELASTOMER, RED-IRON OXIDE.  
 PERIPHERAL SEAL: POLYESTER, BLACK.  
 2. WILL ACCEPT (12) MULTIMATE PINS AND (4) POWER MALE CONTACTS.

796207-1  
 PART NUMBER

THIS DRAWING IS UNPUBLISHED. RELEASED FOR PUBLICATION. IT IS SUBJECT TO CHANGE AND THE CUSTOMER'S DRAWING INDICATIONS SHOULD BE CONTACTED FOR THE LATEST REVISION.		DAW S. WELDON 09SEP99 CHK R. DOWHOWER 09SEP99 APPR R. DOWHOWER 09SEP99	AMP Incorporated Harrisburg, PA 17105-3608
DIMENSIONS: mm (INCHES)	TOLERANCES UNLESS OTHERWISE SPECIFIED:	NAME RECEPTACLE ASSY, SERIES 6, STANDARD SEX, SIZE 23-16, CIRCULAR PLASTIC CONNECTOR	SIZE CASE CODE DRAWING NO A2 00779 C-796207
MATERIAL FINISH	D H L R P A ANGLES FINISH	APPLICATION SPEC 108-1579	RESTRICTED TO CUSTOMER DRAWING
		SCALE 2:1	SHEET 1 OF 1 REV 0