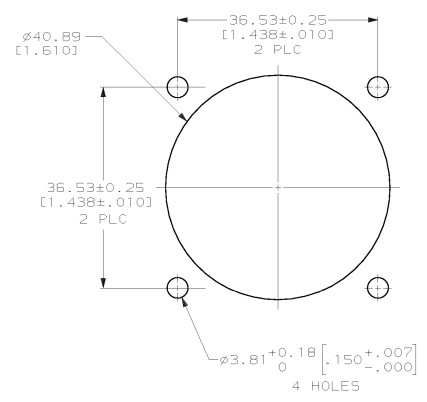
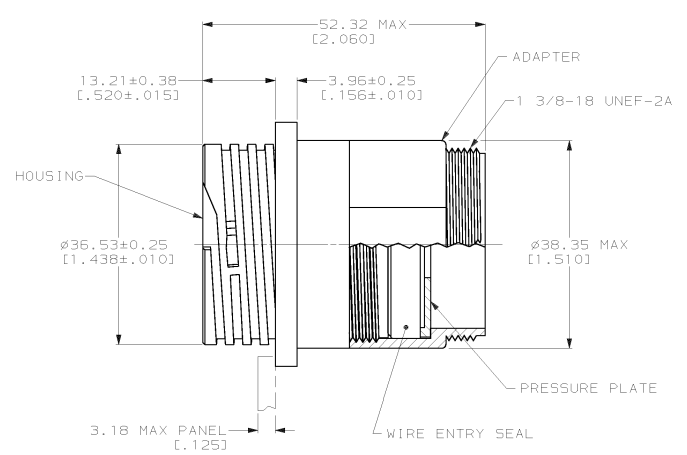
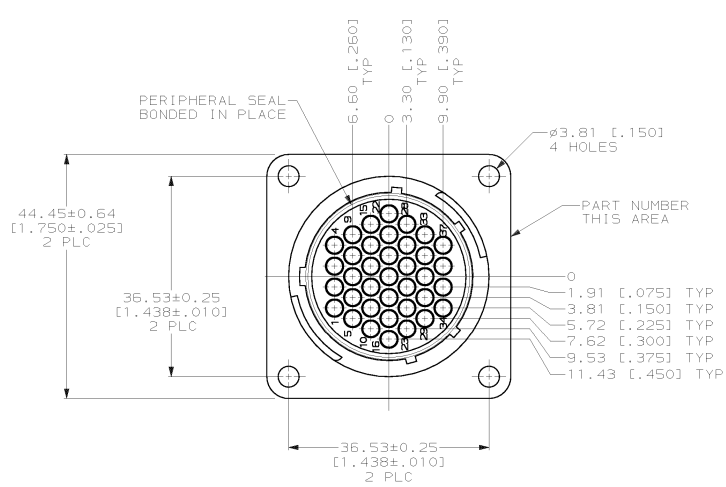


4 3 2 1

THIS DRAWING IS UNPUBLISHED. RELEASED FOR PUBLICATION  
 (C) COPYRIGHT IS BY AMP INCORPORATED. ALL RIGHTS RESERVED.

REV. NO.	DATE	BY	CHKD	DESCRIPTION
0				
1	22 JAN 00	SU	KD	REVISE PER ECN 0638-0271-00



RECOMMENDED PANEL CUTOUT

- △ ADAPTER AND HOUSING; NYLON, BLACK.  
 WIRE ENTRY SEAL: ELASTOMER, RED-IRON OXIDE.  
 PERIPHERAL SEAL: ELASTOMER, GREY.
- 2. CONNECTOR WILL ACCEPT (37) MULTIMATE PIN CONTACTS.

796286-1  
 PART NUMBER

THIS DRAWING IS A CONTROLLED DOCUMENT.		DATE: 11 NOV 98	<b>AMP</b> AMP Incorporated Harrisburg, PA 17105-3608
DRAWN BY: C. DORWART		DATE: 15 NOV 99	
CHECKED BY: J. DOHROWER		DATE: 15 NOV 99	RCPT ASSEMBLY, SIZE 23-37, STANDARD SEX, SQUARE FLANGE, SEALED CIRCULAR PLASTIC CONNECTOR
PROJECT SPEC: 108-1579		APPLICATION SPEC: -	
MATERIAL: NYLON		WEIGHT: -	STYL: A200779
FINISH: -		CUSTOMER DRAWING	SCALE: 2:1

796286

A