

4

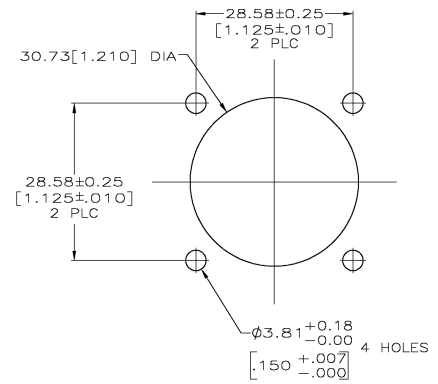
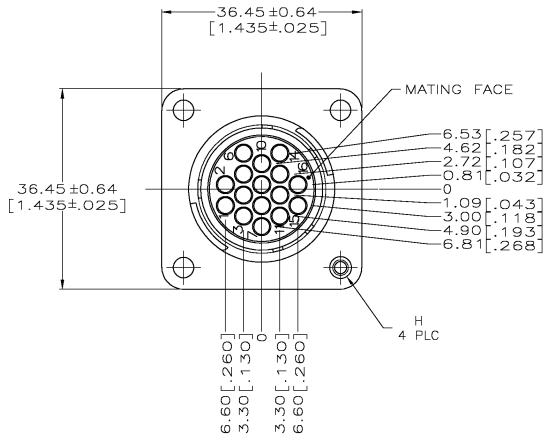
3

2

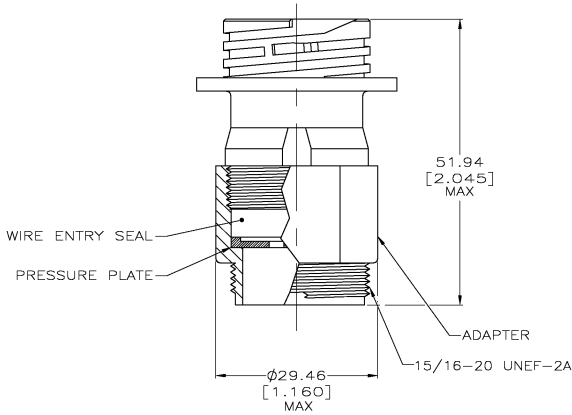
1

THIS DRAWING IS UNPUBLISHED. RELEASED FOR PUBLICATION
 © COPYRIGHT BY TYCO ELECTRONICS CORPORATION. ALL RIGHTS RESERVED.

LOC	DIST	REVISIONS					
FT	0	P	LTR	DESCRIPTION	DATE	OWN	APPD
		C		REVISED PER 0639-0092-05	1/27/05	SS	HW



RECOMMENDED PANEL CUTOUT



△ HOUSING, ADAPTER AND PRESSURE PLATE: NYLON, BLACK.
 WIRE ENTRY SEAL: ELASTOMER, SEE TABLE.
 PERIPHERAL SEAL: ELASTOMER, GREY.

2. CONNECTOR WILL ACCEPT (16) MULTIMATE PIN CONTACTS.

W/ 1/4-40 THREADED INSERT	RED-IRON OXIDE	.065	-.120	STANDARD	796275-3
3.18±0.07 [1.25±0.03]	YELLOW	.040	-.080	SMALL	796275-2
3.18±0.07 [1.25±0.03]	RED-IRON OXIDE	.065	-.120	STANDARD	796275-1
H	SEAL COLOR	DIA.	RANGE	INSULATION	PART NUMBER

THIS DRAWING IS A CONTROLLED DOCUMENT.		DWN	27-JAN-2000	Tyco Electronics Corporation Horriaburg, Pa 17105-3508
DIMENSIONS: mm (INCHES)		CHK	27-JAN-2000	
TO DIMENSIONS UNLESS OTHERWISE SPECIFIED		APPD	27-JAN-2000	ASSEMBLY, RECEPTACLE, STANDARD SEX, 17-16, STANDARD OR SMALL INSULATION DIA., SEALED
MATERIAL		FINISH		
W/ 1/4-40 THREADED INSERT		NAME		SEE CASE CODE DRAWING NO
DIMENSIONS: mm (INCHES)		PRODUCT SPEC		A2 00779 © 796275
TO DIMENSIONS UNLESS OTHERWISE SPECIFIED		APPLICATION SPEC		RESTRICTED TO
MATERIAL		HEIGHT		
FINISH		CUSTOMER DRAWING		SCALE 2:1 SHEET 1 OF 1 REV C