

4

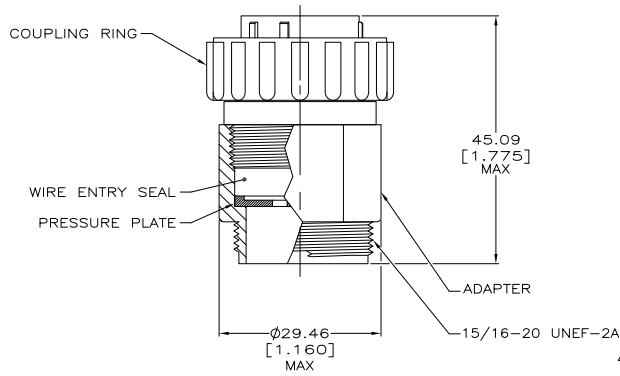
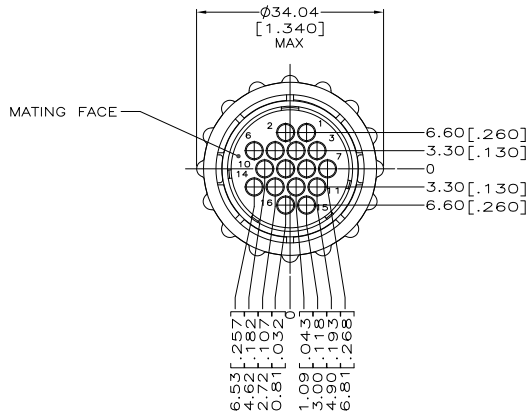
3

2

1

THIS DRAWING IS UNPUBLISHED. RELEASED FOR PUBLICATION
 © COPYRIGHT BY TYCO ELECTRONICS CORPORATION. ALL RIGHTS RESERVED.

LOC	DIST	REVISIONS				
FT	0	F	LR	DATE	BY	APP'D
		E1		REVISED PER ECO-08-032011	23DEC08	HMR MS



- △ HOUSING, ADAPTER AND PRESSURE PLATE: NYLON, BLACK.
WIRE ENTRY SEAL: ELASTOMER, SEE TABLE.
COUPLING RING: POLYPHENYLENE, BLACK.
- 2 CONNECTOR WILL ACCEPT (16) MULTIMATE SOCKET CONTACTS.
- △ HOUSING, ADAPTOR AND COUPLING RING MATERIAL: POLYESTER, PBT.
- △ METAL COUPLING RING.

△	RED-IRON OXIDE	.065	-.120	STANDARD	796274-4	
△	OBSELETE	YELLOW	.040	.080	SMALL	796274-3
△	YELLOW	.040	.080	SMALL	796274-2	
△	RED-IRON OXIDE	.065	.120	STANDARD	796274-1	
	SEAL COLOR	DIA. RANGE		INSULATION	PART NUMBER	

DIMENSIONS:		TOLERANCES UNLESS OTHERWISE SPECIFIED:		THIS DRAWING IS A CONTROLLED DOCUMENT.		Tyco Electronics Corporation	
mm		0 PLG ± .01		DWN L McEACHIN 27-JAN-2000		Harrisburg, Pa 17105-3608	
1 PLG ± .01		1 PLG ± .01		CHK K DOWNHOWER 27-JAN-2000		Tyco Electronics	
2 PLG ± .01		2 PLG ± .01		APP'D K DOWNHOWER		ASSEMBLY, PLUG, STANDARD SEX, 17-16, STANDARD OR SMALL INSULATION DIA., SEALED	
3 PLG ± .01		3 PLG ± .01		PRODUCT SPEC		SIZE CASE CODE DRAWING NO	
4 PLG ± .01		4 PLG ± .01		APPLICATION SPEC		A2 00779 C=796274	
ANGLES ± .01		ANGLES ± .01		MATERIAL		RESTRICTED TO	
FINISH		FINISH		CUSTOMER DRAWING		SCALE 2:1 SHEET 1 OF 1 REV E1	

AMP 1471-9 REV 31MAR2000

796274

A