

4

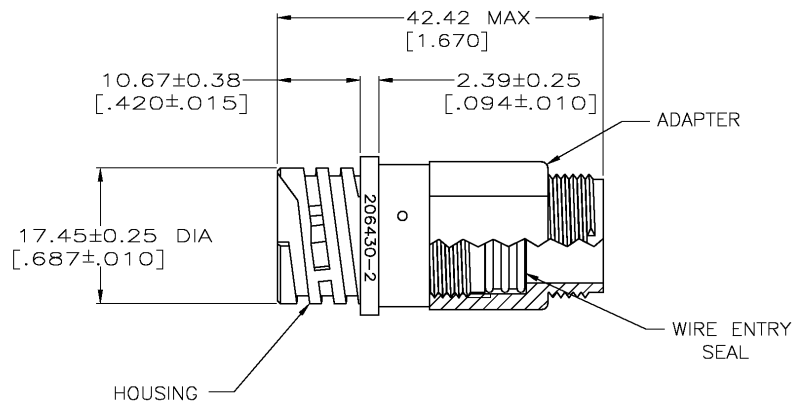
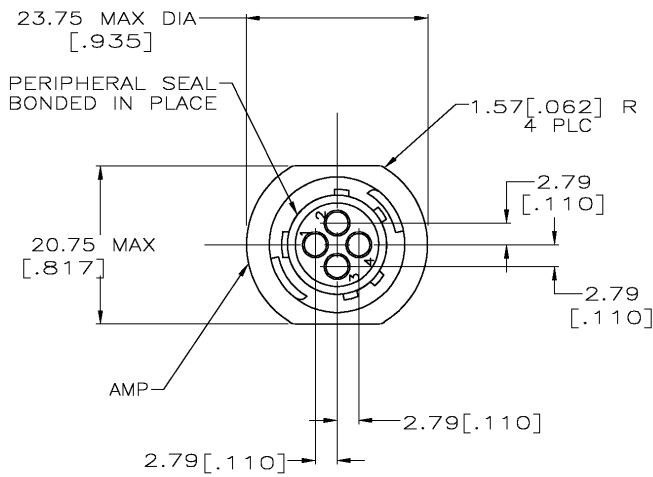
3

2

1

THIS DRAWING IS UNPUBLISHED. RELEASED FOR PUBLICATION
 © COPYRIGHT - BY TYCO ELECTRONICS CORPORATION. ALL RIGHTS RESERVED.

LOC	DIST	REVISIONS				
P	LTR	DESCRIPTION	DATE	DWN	APVD	
FT	0					
	A	REVISED PER OG3B-0140-04	2/19/04	SS	SH	



788155-2

PART NUMBER

△ HOUSING & ADAPTER: NYLON 6/6, BLACK.
 WIRE ENTRY SEAL: ELASTOMER, RED.

2. THIS CONNECTOR WILL ACCEPT
 FOUR (4) MULTIMATE SOCKET CONTACTS.

THIS DRAWING IS A CONTROLLED DOCUMENT.		DWN P. BENNINGHOVE 01 OCT 97		Tyco Electronics Corporation	
		CHK K. DOWHOWER 28 OCT 99		Harrisburg, Pa 17105-3608	
DIMENSIONS: MM [INCHES]		APVD K. DOWHOWER 28 OCT 99	NAME	RECEPTACLE ASSEMBLY, 11-4, REVERSE SEX, SERIES I, SEALED, CPC	
TOLERANCES UNLESS OTHERWISE SPECIFIED:		PRODUCT SPEC 108-1579	SIZE	CAGE CODE	DRAWING NO
0 PLC ± -		APPLICATION SPEC 114-10038	A3	00779	C-788155
1 PLC ± -		WEIGHT -	RESTRICTED TO -		
2 PLC ± 0.13 [.005]			CUSTOMER DRAWING		
3 PLC ± -			SCALE 2:1 SHEET 1 OF 1 REV A		
4 PLC ± -					
ANGLES ± -					
MATERIAL -	FINISH -				

AMP 1470-19 REV 31MAR2000