

4

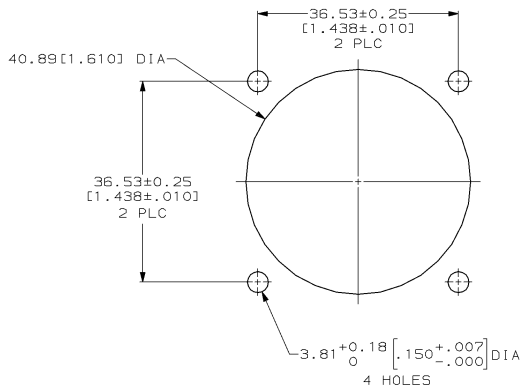
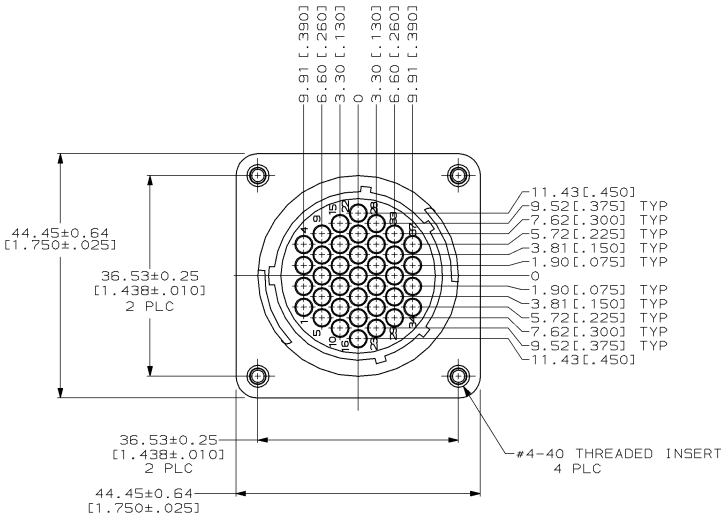
3

2

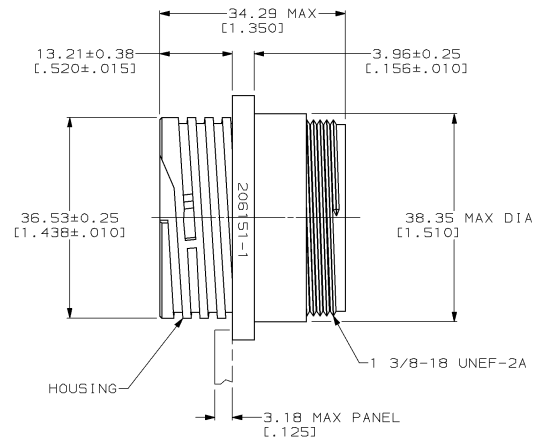
1

THIS DRAWING IS UNPUBLISHED. RELEASES FOR PUBLICATION BY AMP INCORPORATED. ALL RIGHTS RESERVED. © COPYRIGHT 19

LOC	QTY	REV	DESCRIPTION	DATE	BY	APPV
BD	35	0	RELEASED -1 PER NPR 5423 WAS 95-5029-3-1	06 OCT 95	-	-



RECOMMENDED PANEL CUTOUT



- △ HOUSING: NYLON, BLACK.
- #4-40 THREADED INSERTS: BRASS.
- 2. CAVITY IDENTIFICATION ON FRONT AND REAR FACES.
- 3. CONNECTOR WILL ACCEPT 37 MULTIMATE PIN CONTACTS.

787610-1

PART NUMBER

<small>THIS DRAWING IS UNPUBLISHED. RELEASES FOR PUBLICATION BY AMP INCORPORATED. ALL RIGHTS RESERVED. © COPYRIGHT 19</small>		DWG K. FOLTZ 06 OCT 95 CHK R. GIBSON 09 OCT 95 APPV R. GIBSON 09 OCT 95 NAME R. GIBSON	AMP AMP Incorporated Harrisburg, PA 17105-3608
DIMENSIONS mm (INCHES)	DIMENSIONS mm (INCHES)	PRODUCT SPEC 108-10024 APPLICATION SPEC - REWORK -	RECEPTACLE ASSEMBLY, STANDARD SEX, SIZE 23-37, CPC
MATERIAL △	FINISH -	SIZE A2 CASE CODE 00779 DRAWING NO. C-787610	SCALE 2:1 SHEET 1 OF 1 REV 0
CUSTOMER DRAWING			

787610

A