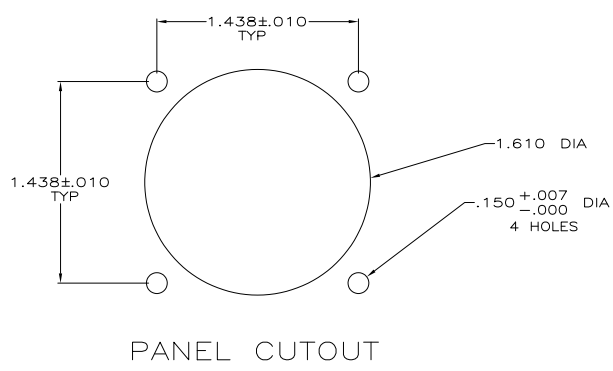
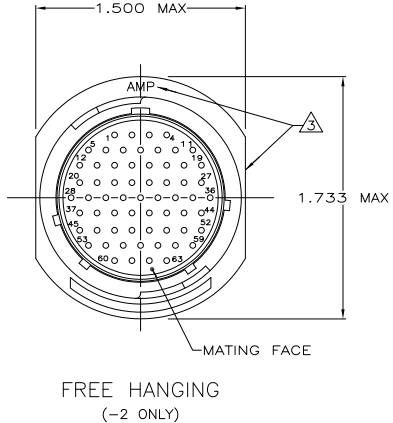
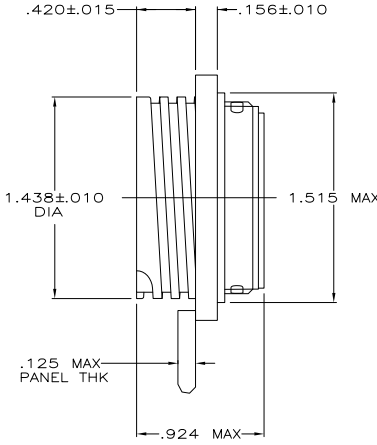
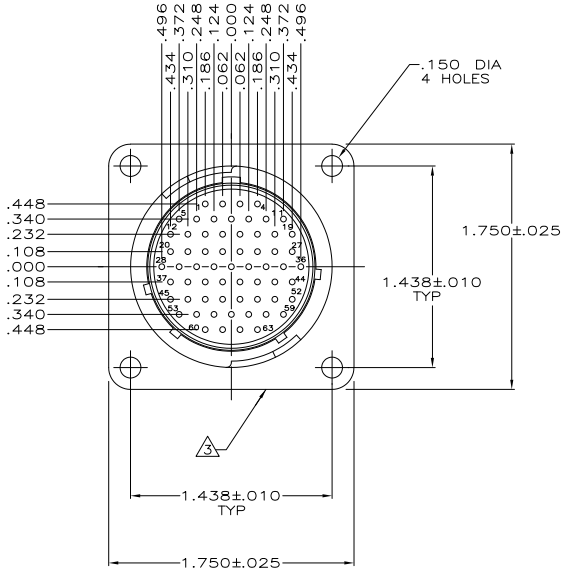


4 3 2 1

THIS DRAWING IS UNPUBLISHED. RELEASED FOR PUBLICATION. ALL RIGHTS RESERVED.

LOC	DIST	REVISIONS		DATE	BY	APP'D
BD	35	P	LWR			
		F1		REVISED PER ECO-11-004917	11MAR11	RK HMR



- CONTACT CAVITIES IDENTIFIED BY CHARACTERS ON FRONT AND REAR FACES OF CONNECTOR.
- WILL ACCEPT (6.3) SIZE 20 PIN CONTACTS.
- AMP AND PART NUMBER THIS AREA.
- #4 FASTENER RECOMMENDED FOR MOUNTING.

205843
205843-2
205843-1
PART NUMBER

THIS DRAWING IS A CONTROLLED DOCUMENT.		OWN A. STAUB_BG	4/3/91	TE Connectivity	
DIMENSIONS: INCHES		CHK W. G. LENKER	7-24-92	RECEPTACLE ASSEMBLY, STD SEX, SERIES 2, 23-63, CPC	
TOLERANCES UNLESS OTHERWISE SPECIFIED:		APP'D K. BEAVER	7-24-92	NAME	
0 P/LC	± .000	PRODUCT SPEC:		108-10024	
1 P/LC	± .005	APPLICATION SPEC:			
2 P/LC	± .005	SIZE	CAGE CODE	DRAWING NO	RESTRICTED TO
3 P/LC	± .005	A2	00779	C=205843	
4 P/LC	± .005	MATERIAL		TERMOPLASTIC, BLACK	
ANGLES	± .005	FINISH			
		WEIGHT			
		CUSTOMER DRAWING		SCALE	2:1
				SHEET	1 of 1
				REV	F1