

4

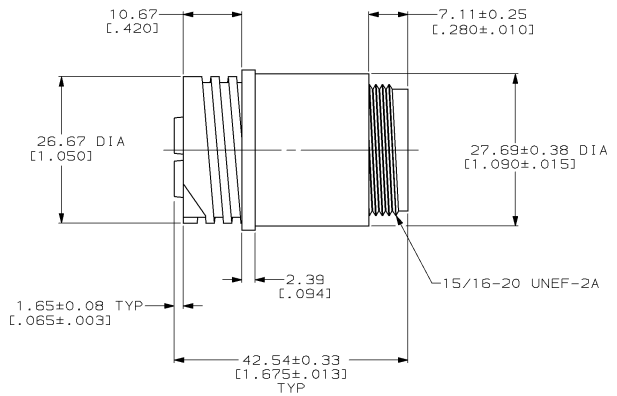
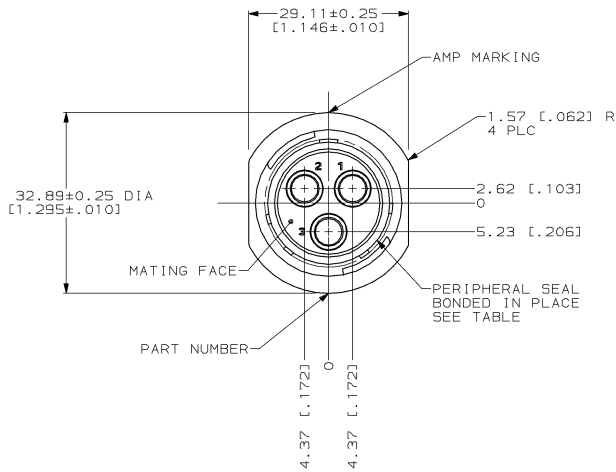
3

2

1

THIS DRAWING IS UNPUBLISHED. RELEASED FOR PUBLICATION
 BY AMP INCORPORATED. ALL RIGHTS RESERVED.

LOC	QTY	REV	DESCRIPTION	DATE	BY	APP
BD	35	0	RELEASED -1 PER NPR 5365, WAS 95-7970-19	06/23/95	-	-
		A	ADDED -2 AND REVISED PER EC 0020-900-95	15 SEP 95	DH	AF



YES	213890-2
NO	213890-1
PERIPHERAL SEAL	PART NUMBER

<small>THIS DRAWING IS UNPUBLISHED. RELEASED FOR PUBLICATION BY AMP INCORPORATED. ALL RIGHTS RESERVED.</small>		DUN D. HARDY 06/23/95 CHK 06/29/95 R. STONE 06/29/95	AMP AMP Incorporated Harrisburg, PA 17105-3608
DIMENSIONS mm (INCHES)	DIMENSIONS SPECIFIED 0 PLC ±.01 3 PLC ±.013 (0.005) 4 PLC ±.01 ANGLES ±.5°	NAME A. CRANTUM PRODUCT SPEC 108-1579 APPLICATION SPEC - RECFRT - CUSTOMER DRAWING	RECEPTACLE HOUSING, REVERSE SEX, SERIES 5, 17-3, CIRCULAR PLASTIC CONNECTOR SIZE CASE CODE (DRAWING NO) A2 00779 ©-213890 SCALE 2:1 SHEET 1 OF 1 REV A

213890

A