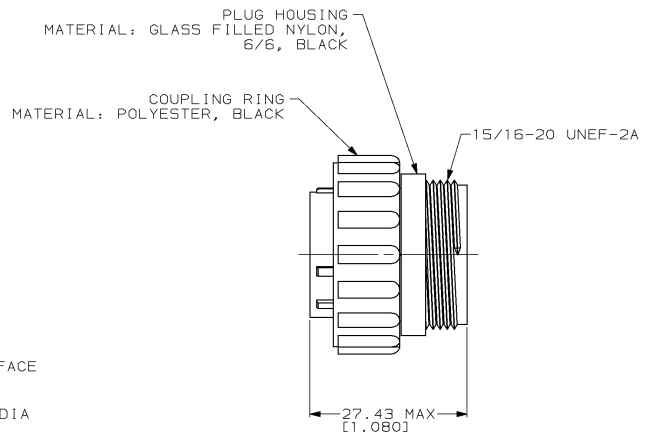
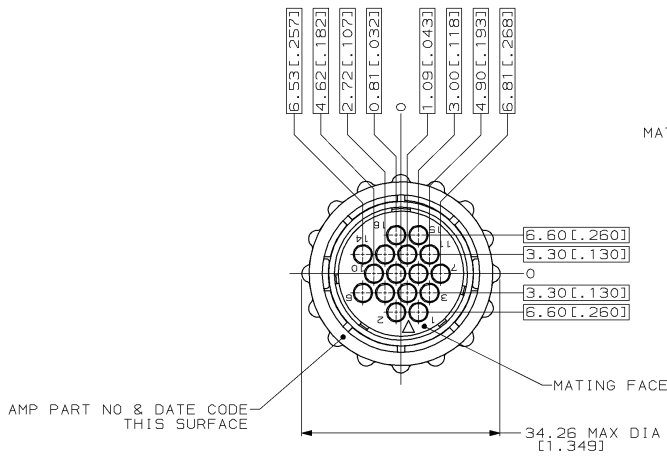


THIS DRAWING IS UNPUBLISHED. RELEASED FOR PUBLICATION  
 © COPYRIGHT 19 BY AMP INCORPORATED. ALL INTERNATIONAL RIGHTS RESERVED.

LOC	DIST	P	F	ZONE	LTR	DESCRIPTION	DATE	APPD
FT	4							
					F	REDRAWN W/O CHANGE PER EC 0020-600-94	06/17/94	AF
					G	REV PER EC 0020-568-95	19 JUL 95	AF
					H	REV PER EC 0320-244-97	06 OCT 97	KD



- CONTACT CAVITIES IDENTIFIED BY CHARACTERS ON FRONT AND REAR FACES OF CONNECTOR.
- WILL ACCEPT SIXTEEN (16) MULTIMATE SOCKET CONTACTS.

THIS DRAWING IS A CONTROLLED DOCUMENT FOR AMP INCORPORATED. IT IS SUBJECT TO CHANGE AND THE CONTROLLING ENGINEERING ORGANIZATION SHOULD BE CONTACTED FOR THE LATEST REVISION.

		206554-1	
		PART NO	
DO NOT SCALE PRINT. UNLESS SPECIFIED DIMENSIONS IN mm [INCHES] TOLERANCES ON + 2 PLC DEC ± - 3 PLC DEC ± - ANGLES ± -		DR 06-17-94 D.HARDY	
MATERIAL		CHK 06-24-94 R.STONE	
SEE CALLOUTS		APPD 08-09-94 A.FRANTUM	
FINISH		APPD 08-09-94 A.FRANTUM	
		PRODUCT SPEC	
		APPLICATION SPEC	
		SIZE	CAGE CODE
		①	00779
		DRAWING NO	①
		①	206554
WEIGHT		SCALE	SHEET
		2:1	1 OF 1

CUSTOMER DRAWING