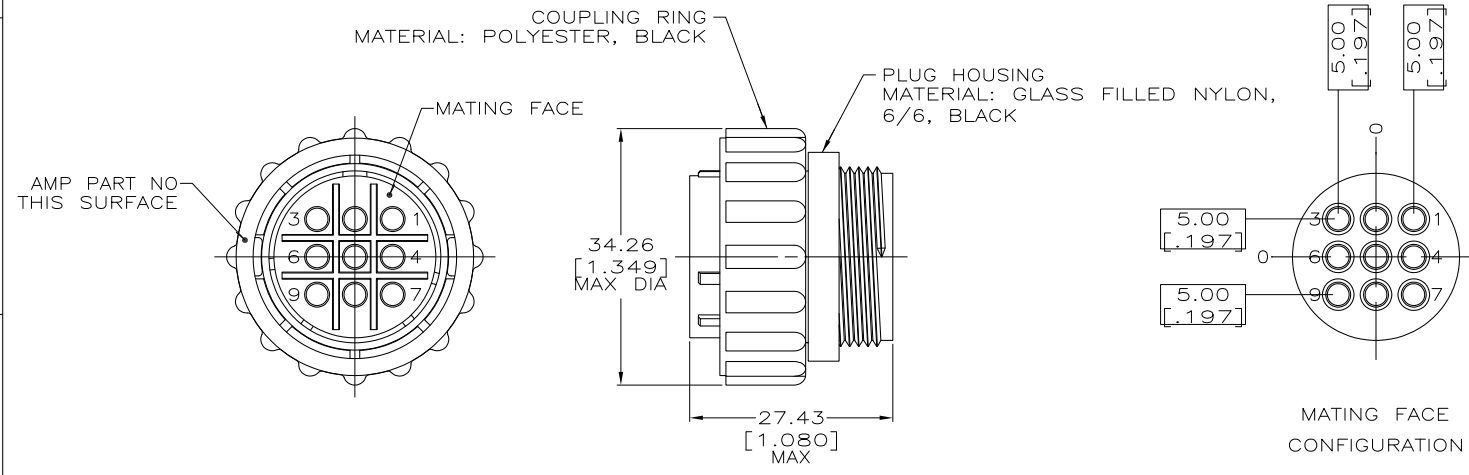


THIS DRAWING IS UNPUBLISHED. RELEASED FOR PUBLICATION
 © COPYRIGHT - By - ALL RIGHTS RESERVED.

LOC	DIST	REVISIONS			
P	LTR	DESCRIPTION	DATE	DWN	APVD
FT	4				
		C1	REVISED PER ECO-11-004820	11MAR11	RK HMR



- CONTACT CAVITIES IDENTIFIED BY CHARACTERS ON FRONT AND REAR FACES OF CONNECTOR.
- THIS PART WILL ACCEPT 9 MULTIMATE SOCKET CONTACTS.

211766-1
PART NO

THIS DRAWING IS A CONTROLLED DOCUMENT.		DWN K.FOLTZ 06/29/94	TE Connectivity	
		CHK R.STONE 06/30/94		
DIMENSIONS: mm [INCHES]	TOLERANCES UNLESS OTHERWISE SPECIFIED:	APVD A.FRANTUM 10/3/94	NAME PLUG ASSY, SPECIAL VDE, CLASS A, STD SEX, ARRANGEMENT 17-9, CPC	
	0 PLC ± -	PRODUCT SPEC	SIZE	CAGE CODE
	1 PLC ± -	APPLICATION SPEC	A3	00779
MATERIAL SEE CALLOUTS	FINISH -	WEIGHT	DRAWING NO	C=211766
CUSTOMER DRAWING			RESTRICTED TO	-
			SCALE	2:1
			SHEET	1 of 1
			REV	C1