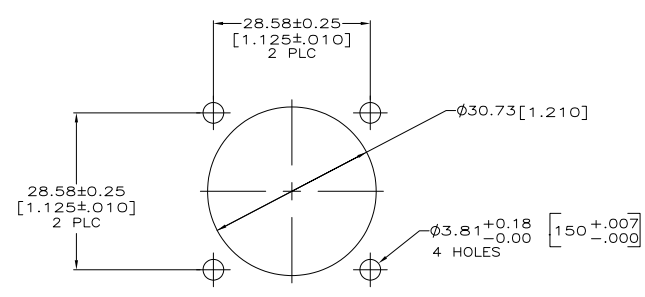
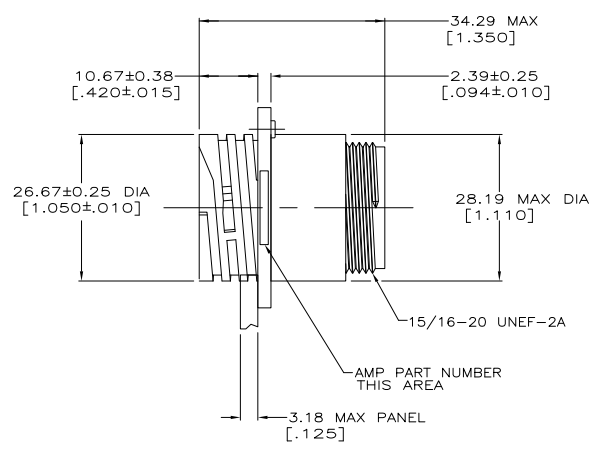
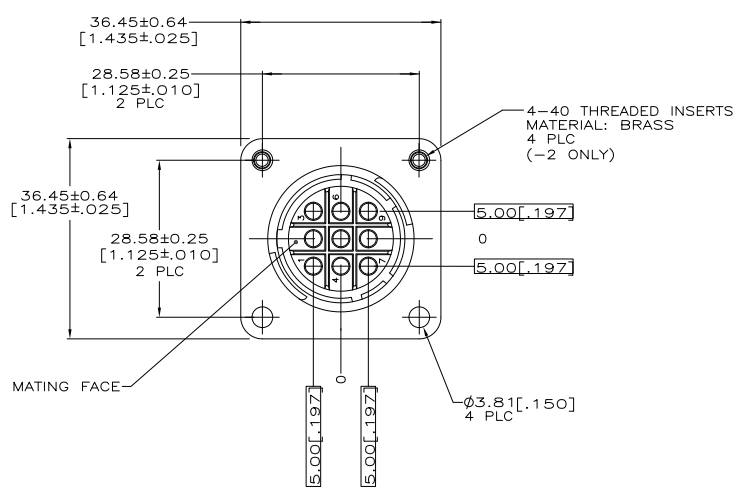


THIS DRAWING IS UNPUBLISHED. RELEASED FOR PUBLICATION. ALL RIGHTS RESERVED.

LOC		DIBT		REVISIONS		
P	LTR	DESCRIPTION	DATE	BY	APPD	
D1		REVISED PER ECO-11-004587	11MAR11	RK	HMR	



- △ HOUSING: NYLON, BLACK. THREADED INSERTS: BRASS
- 2. CAVITY IDENTIFICATION ON FRONT AND REAR FACE.
- 3. WILL ACCEPT NINE (9) MULTIMATE PIN CONTACTS.

YES	211767-3
YES	211767-2
NO	211767-1
4-40 THREADED INSERTS	PART NUMBER

THIS DRAWING IS A CONTROLLED DOCUMENT. **TE** TE Connectivity

D. BROCKWAY 09-28-04		S. STONE 09-30-04	
DIMENSIONS: INCHES		APPROVED: NAME	
0 PLC ±		PRODUCT SPEC	
1 PLC ±		APPLICATION SPEC	
2 PLC ±		WEIGHT	
3 PLC ±		FINISH	
4 PLC ±		SIZE	
ANGLES ±		CAGE CODE	
MATERIAL		DRAWING NO	
FINISH		RESTRICTED TO	
CUSTOMER DRAWING		SCALE 2:1 SHEET 1 of 1 REV D1	

RCPT HSG, STD SEX, VDE, SHELL SIZE 17, CPC

SIZE: A2 CAGE CODE: 00779 DRAWING NO: C=211767