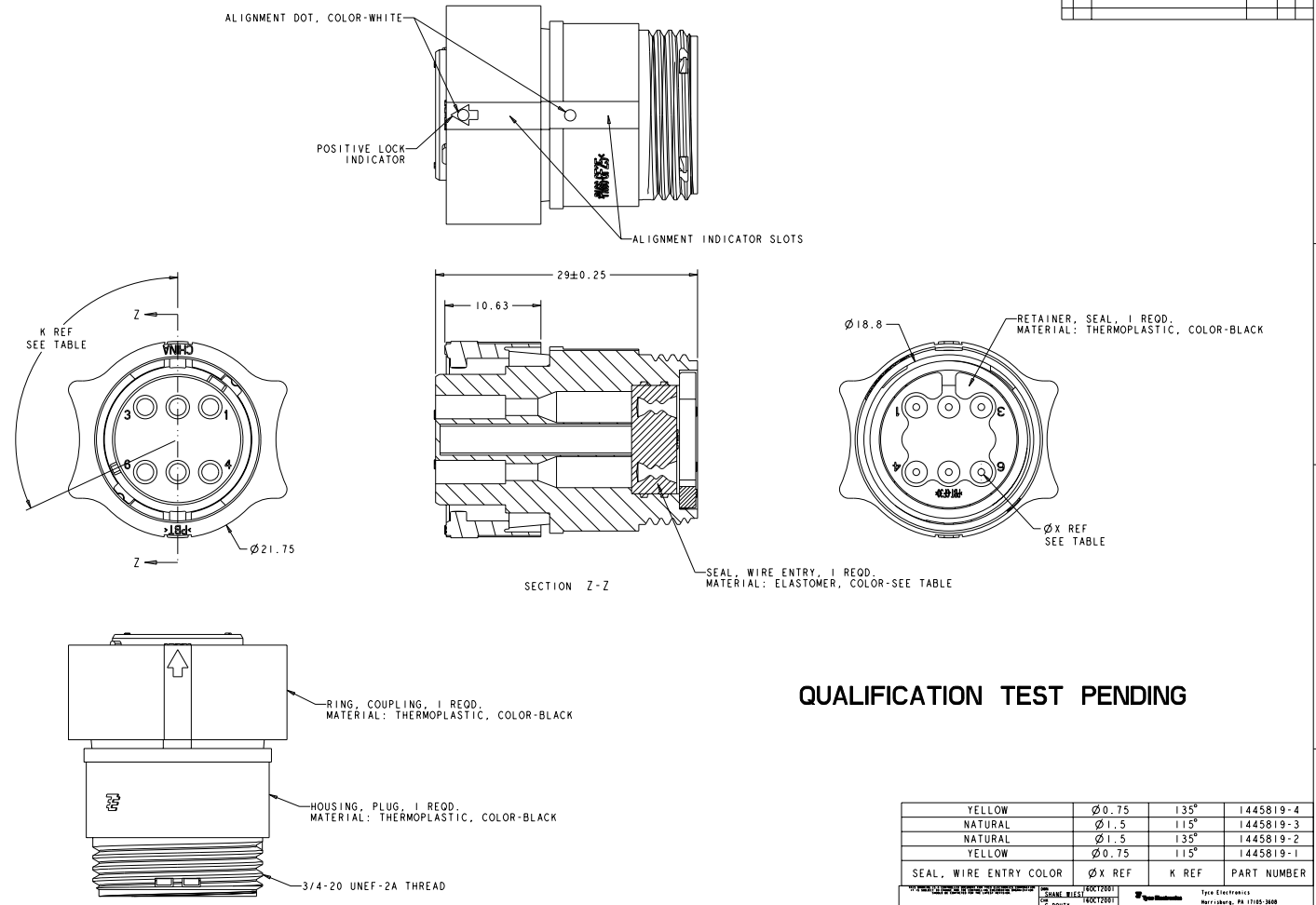


REV. NO.		REVISIONS	
FT	0	DESCRIPTION	DATE
C1	REVISED ECD-10-014504		2007010



QUALIFICATION TEST PENDING

SEAL, WIRE ENTRY COLOR	Ø X REF	K REF	PART NUMBER
YELLOW	Ø 0.75	135°	1445819-4
NATURAL	Ø 1.5	115°	1445819-3
NATURAL	Ø 1.5	135°	1445819-2
YELLOW	Ø 0.75	115°	1445819-1

DRAWING NO: 00000000 REV: 00 DATE: 01/04/07 BY: J. J. J. CHECKED: J. J. J. APPROVED: J. J. J.	SERIAL NO.: 10072001 DATE: 13JUN2003 PART NO.: 1445819	Tech Electronics Harrisburg, PA 17105-3600 ASSEMBLY, PLUG, SIZE 11, 6 POSITION, SEALED, MINI CPC
STATE: PA COUNTY: YORK CITY: HARRISBURG	SCALE: 1:1 SHEET: 1 OF 1	PART NUMBER: 1445819