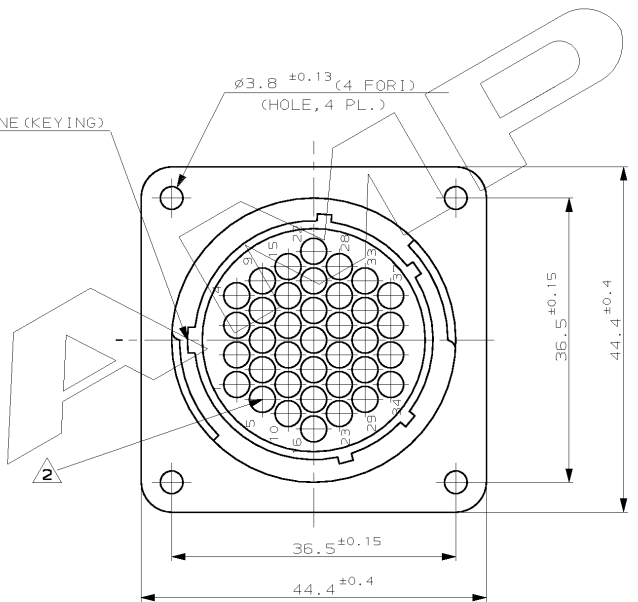


POLARIZZAZIONE (KEYING)



IL DISEGNO INDICA IL P.N. 182920-1 (P.N. 182920-1 AS SHOWN)

NOTE (NOTES)

- MATERIALE (MATERIAL): TERMOPLASTICO COLORE NERO (THERMOPLASTIC, BLACK COLOR).
- OGNI CAVITÀ E' IDENTIFICATA DAL NUMERO POSTO SIA SUL FRONTE CHE SUL RETRO DEL CONNETTORE. (CONTACT CAVITIES IDENTIFIED BY CHARACTERS) (ON FRONT AND REAR FACES OF CONNECTOR.)
- QUESTO CONNETTORE E' APPROVATO CON FILE N.E28476 E CERTIFICATO CON FILE N.LR7189A-259 (THIS CONNECTOR IS RECOGNIZED BY FILE N.E28476 AND CERTIFIED BY FILE N.LR7189A-259)

CUSTOMER DRAWING FOR REFERENCE ONLY		DISEGNO PER CLIENTE SOLO PER RIFERIMENTO	
THIS DRAWING IS UNPUBLISHED		RELEASE FOR PUBLICATION 1991	
© COPYRIGHT 19 BY AMP INCORPORATED, HARRISBURG, PA. ALL INTERNATIONAL RIGHT RESERVED. AMP PRODUCTS MAY BE COVERED BY U.S. AND FOREIGN PATENT AND/OR PATENT PENDING			
TOLLERANZE: SE NON DIVERSAMENTE SPECIFICATO (TOLERANCES: UNLESS OTHERWISE SPECIFIED)	DIAM. ISOLANTE (INS. DIA. RANGE)	RANGO FILE (WIRE RANGE)	SCALA (SCALE)
± 0.3	-	-	-
ANGOLI (ANGLES)	AMP AMP ITALIA S.p.A. Corso F.lli Capri, 15 COLLENO (TORINO)		
DIS. (DR.)	DESCRIZIONE (DESCRIPTION)		
C. CORDOLA 22 JUNE 91	C.P.C. SQUARE FLANGE RECEPTACLE FOR SOCKET CONTACTS, SIZE 23-37, REV. SEX		
M2 UPDATED PRODUCT DESCRIPTION FOR E100-0182-02	D. C. 2090/2002	DIS. (DR.)	LOC. SIZE (DWG NO)
M1 REVISED ET00-0123-99	S. S. 01-99	CONT. (CHK)	I A C - 182920
A RELEASED	C. C. 10-9	APP. (APP.)	M2
REV. (REV.)	REVISIONI (REVISION RECORD)	DIS. DATA (DATE)	REV. (REV.)
			1 OF 1

DISTRIBUZIONE (PRINT DIST.)