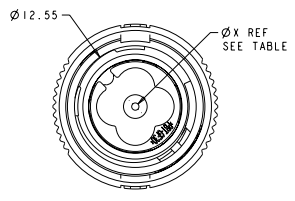
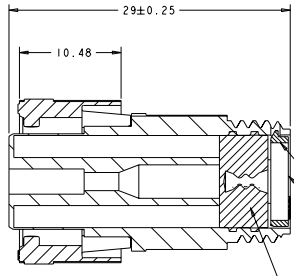
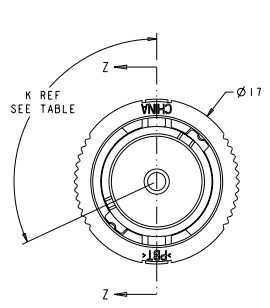
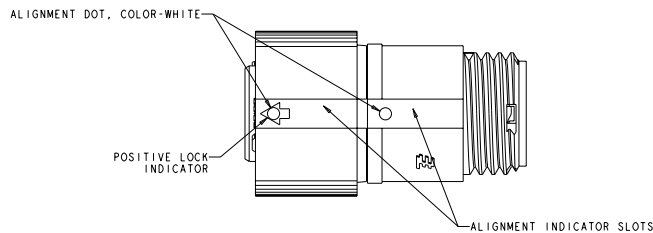
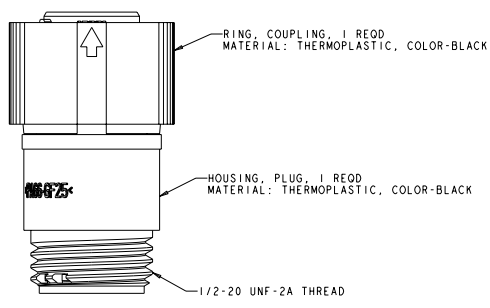


REV. NO.		REVISIONS	
FT	0	DESCRIPTION	DATE
	B1	REVISED EPR ECO-10-014504	



RETAINER, SEAL, 1 REQD.  
 MATERIAL: THERMOPLASTIC, COLOR-BLACK  
 SEAL, WIRE ENTRY, 1 REQD.  
 MATERIAL: ELASTOMER, COLOR-SEE TABLE



**QUALIFICATION TEST PENDING**

SEAL, WIRE ENTRY COLOR	Ø X REF	K REF	PART NUMBER
YELLOW	Ø 0.75	130°	1445536-04
NATURAL	Ø 1.5	115°	1445536-03
NATURAL	Ø 1.5	130°	1445536-02
YELLOW	Ø 0.75	115°	1445536-01

DATE: 07/01/2001	BY: JESSE	DATE: 07/01/2001	BY: JESSE
REVISED: 12/06/2003	BY: JESSE	REVISED: 12/06/2003	BY: JESSE
Tape Electronics Harrisburg, PA 17105-3600		ASSEMBLY, PLUG, SIZE 7, 1 POSITION, SEALED MINI CPC	
SCALE CODE: 000000 40	STATE: PA	00778	©-1445536
CUSTOMER DRAWING	PAGE 5:1 OF 1		