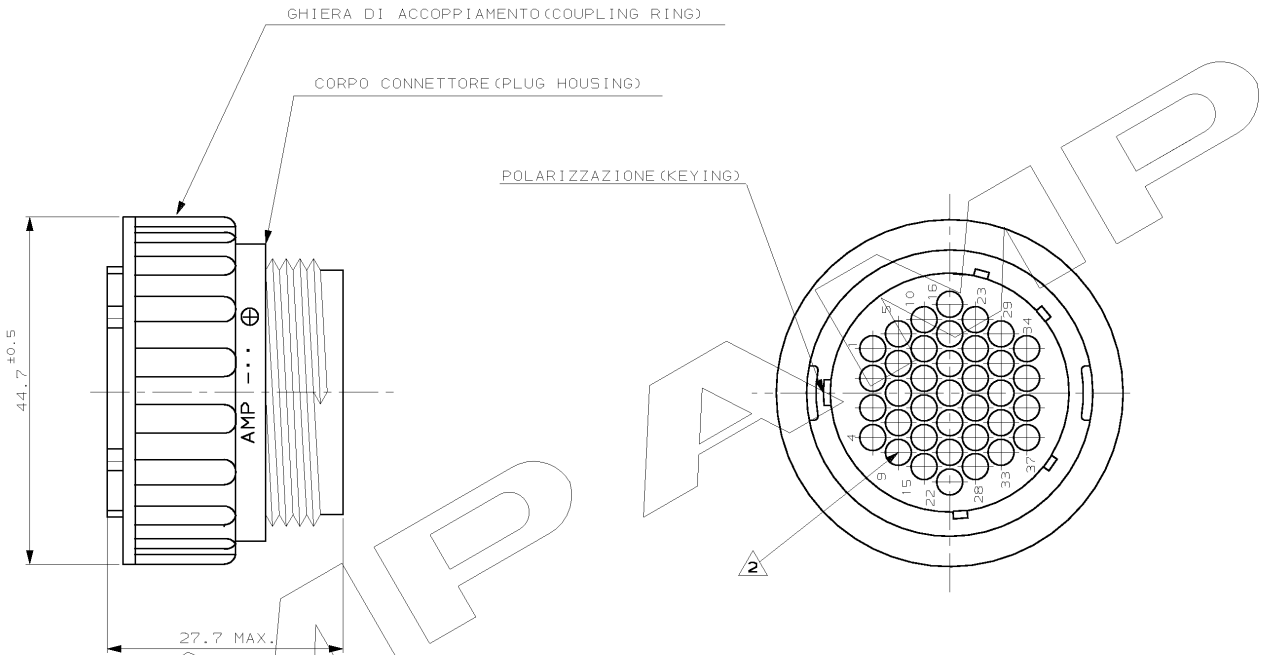


1 2 3 4 5 6 7 8

SCALA NON IMPEDINATIVA (DO NOT SCALE)	METRIC	PROIEZIONE EUROPEA (EUROPEAN PROJECTION)
DIMENSIONI IN (DIMENSIONS IN)		



NOTE (NOTES)

- MATERIALE (MATL.): TERMOPLASTICO COLORE NERO (THERMOPLASTIC, BLACK COLOR).
- OGNI CAVITA' E IDENTIFICATA DAL NUMERO POSTO SIA SUL FRONTE CHE SUL RETRO DEL CONNETTORE. (CONTACT CAVITIES IDENTIFIED BY CHARACTERS) (ON FRONT AND REAR FACES OF CONNECTOR.)
- QUESTO CONNETTORE E' APPROVATO CON FILE N.E28476 E CERTIFICATO CON FILE N.LR7189A-259 (THIS CONNECTOR IS RECOGNIZED BY FILE N.E28476 AND CERTIFIED BY FILE N.LR7189A-259)

IL DISEGNO INDICA IL P.N. 182923-1
(P.N. 182923-1 A5 SHOWN)

CUSTOMER DRAWING FOR REFERENCE ONLY		DISEGNO PER CLIENTE SOLO PER RIFERIMENTO	
THIS DRAWING IS UNPUBLISHED		RELEASE FOR PUBLICATION 1991	
© COPYRIGHT 19 BY AMP INCORPORATED, HARRISBURG, PA. ALL INTERNATIONAL RIGHT RESERVED. AMP PRODUCTS MAY BE COVERED BY U.S. AND FOREIGN PATENT AND/OR PATENT PENDING			
TOLERANCE: SE NON DIVERSAMENTE SPECIFICATO	DIAM. ISOLANTE (INS. DIA. RANGE)	RANGO FILO (WIRE RANGE)	SCALA (SCALE)
(TOLERANCES, UNLESS OTHERWISE SPECIFIED)	-	-	-
± 0.3		AMP AMP ITALIA S.p.A. Corso F.lli Casati, 15 COLLENO (TORINO)	
C2 UPDATED PRODUCT DESCRIPTION FOR ET00-0123-99	D.C. 2080/2085	ANGOLI (ANGLES)	± 2°
C1 REVISED ET00-0123-99	F.S. 01-99	DIS. (DR.)	22 JUNE 91 C. CORDOLA
C REVISED PER ECN-13230	C.C. 95-93	CONT. (MAY 1993)	(CHK) C. MARTINS
B REVISED CAVITY ID, N° POSITION ECN-13205	C.C. 01-93	DESCRIZIONE (DESCRIPTION) C.P.C. PLUG ASSY FOR SOCKET CONTACTS, SIZE 23-37, STD. SEX	
A RELEASED	C.C. 10-93	LOC. SIZE (DWG NO)	I A3 C-182923
REV. (REVISION RECORD)	DIS. DATA (DATE)	NUMERO (SHEET)	C2 1 OF 1

DISTRIBUZIONE
(PRINT DIST.)

AMP-11-7523-1-982

1 2 3 4 5 6 7 8