

4

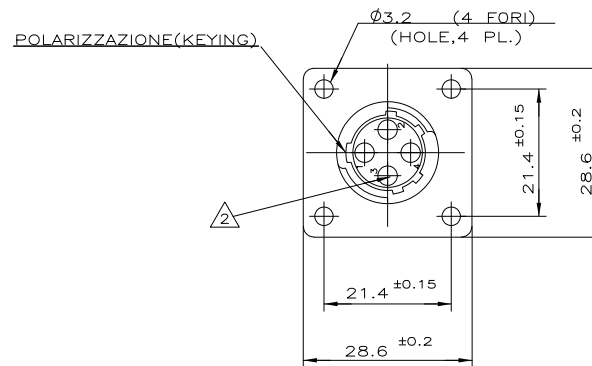
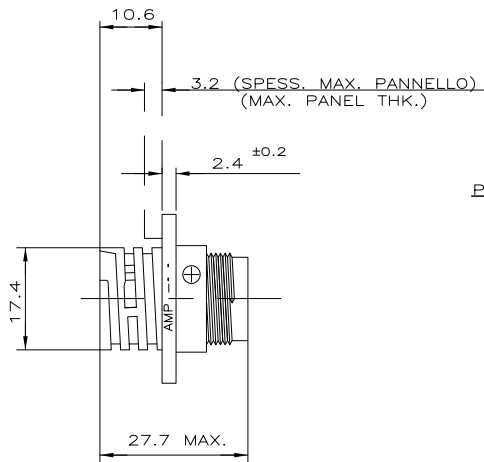
3

2

1

THIS DRAWING IS UNPUBLISHED. RELEASED FOR PUBLICATION
 COPYRIGHT BY TYCO ELECTRONICS CORPORATION. ALL INTERNATIONAL RIGHTS RESERVED.

LOC	DIST	REVISIONS				
P	LTR	DESCRIPTION	DATE	DWN	APVD	
M1		REVISED ET00-0123-99	01JUN99	C.C	G.S	
M2		UPDATED PRODUCT DESCRIPTION FOR ET00-0182-02	29NOV2002	D.C	D.C	
M3		CONTACT CAVITY IDENTIFICATION CORRECTED	21JUL2010	DMK	PKS	



NOTE(NOTES)

1. MATERIALE (MATL.): TERMOPLASTICO COLORE NERO (THERMOPLASTIC, BLACK COLOR).

2. OGNI CAVITA' E' IDENTIFICATA DAL NUMERO POSTO SIA SUL FRONTE CHE SUL RETRO DEL CONNETTORE. (CONTACT CAVITIES IDENTIFIED BY CHARACTERS) (ON FRONT AND REAR FACES OF CONNECTOR.)

3. QUESTO CONNETTORE E' APPROVATO CON FILE N.E28476 E CERTIFICATO CON FILE N.LR7189A-259 (THIS CONNECTOR IS RECOGNIZED BY FILE N.E28476 AND CERTIFIED BY FILE N.LR7189A-259)

IL DISEGNO INDICA IL P.N. 182921-1 (P.N. 182921-1 AS SHOWN)

THIS DRAWING IS A CONTROLLED DOCUMENT.		DWN C.CORDOLA 22JUN1991	Tyco Electronics Tyco Electronics Italia S.p.A Corso F.lli Cervi, 15, Collegno	
DIMENSIONS: mm		CHK C.CORDOLA 22JUN1991	NAME C.P.C. SQUARE FLANGE RECEPTACLE FOR SOCKET CONTACTS, SIZE 11-4, REV. SEX	
TOLERANCES UNLESS OTHERWISE SPECIFIED: ±0.3		APVD C.CORDOLA	SIZE A3	
0 PLC ± 1 PLC ± 2 PLC ± 3 PLC ± 4 PLC ± ANGLES ±2°		PRODUCT SPEC APPLICATION SPEC	CAGE CODE 00779	
MATERIAL FINISH		WEIGHT	DRAWING NO 182921	
		CUSTOMER DRAWING	RESTRICTED TO	
		SCALE	SHEET 1 of 1 REV M3	