

4

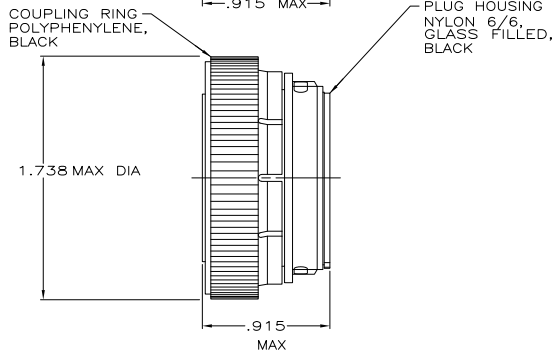
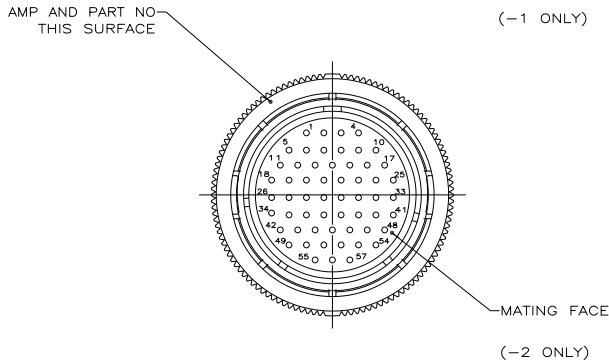
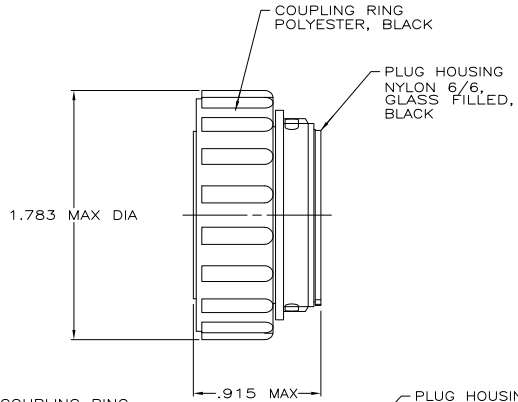
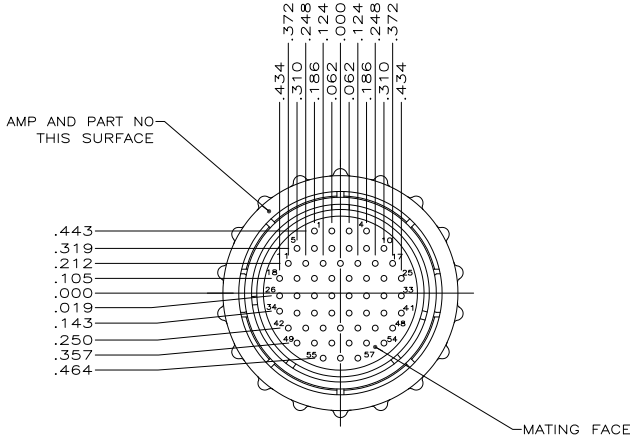
3

2

1

THIS DRAWING IS UNPUBLISHED. RELEASED FOR PUBLICATION
 © COPYRIGHT - By - ALL RIGHTS RESERVED.

LOC	DIST	REVISIONS			
FT	4	REV	DATE	BY	APPD
		G2	11MAR11	RK	HMR
		DESCRIPTION			
		REVISED PER ECO-11-004917			



- CONTACT CAVITIES IDENTIFIED BY CHARACTERS ON FRONT AND REAR FACES OF CONNECTOR.
 - WILL ACCEPT (57) SIZE 20 PIN CONTACTS.
- ⚠ OBSOLETE PARTS: OBSOLETE CIS STREAMLINING PER D.RENAUD/D.SINISI

⚠ OBSOLETE	206437-2
	206437-1
	PART NUMBER

THIS DRAWING IS A CONTROLLED DOCUMENT.		DRN	A. STAUB, RG	4/2/91
DIMENSIONS:		CHK	W. LENKER	7-23-92
TOLERANCES UNLESS OTHERWISE SPECIFIED:		APD	K. BEAVER	7-23-92
0 PLC ± .005		NAME	TE Connectivity	
1 PLC ± .002		PRODUCT SPEC	108-10024	
2 PLC ± .001		APPLICATION SPEC	-	
3 PLC ± .0005		SIZE	A2	00779
4 PLC ± .0002		DRAWING NO	C=206437	
ANGLES ± .5		REVISION	-	
FINISH -		CUSTOMER DRAWING	SCALE	2:1
MATERIAL SEE CALLOUT			SHEET	1 of 1
			REV	G2