

4

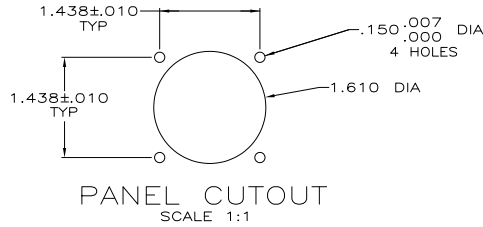
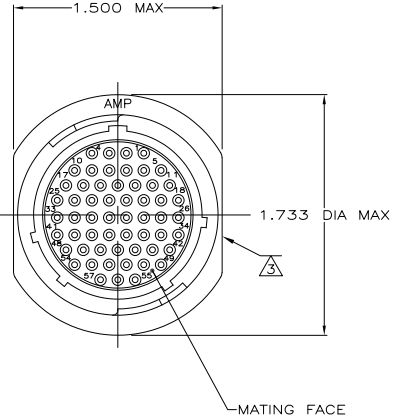
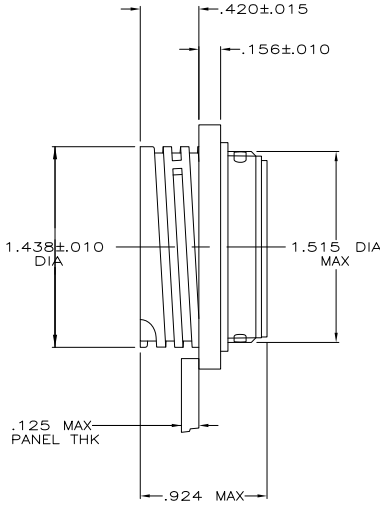
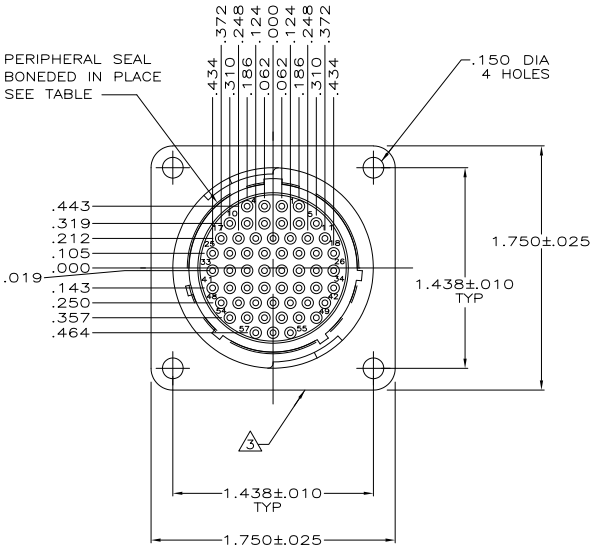
3

2

1

THIS DRAWING IS UNPUBLISHED. RELEASED FOR PUBLICATION. ALL RIGHTS RESERVED.

LOC		DIBT		REVISIONS			
FT	0	P	LTR	DESCRIPTION	DATE	BY	APPD
		K2		REVISED PER ECO-11-004820	11MAR11	RK	HMR



NOTES:

- CONTACT CAVITIES IDENTIFIED BY CHARACTERS ON FRONT AND REAR FACES OF CONNECTOR.
- WILL ACCEPT (57) SIZE 20 SOCKET CONTACTS.
- PART NUMBER THIS AREA.
- #4 FASTENER RECOMMENDED FOR MOUNTING.
- OBSOLETE PARTS: OBSOLETE CIS STREAMLINING PER D.RENAUD/D.SINISI

	OBSOLETE	YES	206438-3
		NO	206438-2
		NO	206438-1
	PERIPHERAL SEAL	PART NUMBER	

THIS DRAWING IS A CONTROLLED DOCUMENT.		BY: A. STAUB, BG 4/3/91	DATE: 7-27-92
DIMENSIONS: INCHES		DR: W. G. LENKER	NAME: -
OTHER DIMENSIONS: MILLIMETERS		PRODUCT SPEC: 108-10024	APPLICATION SPEC: -
MATERIAL: THERMOPLASTIC		WEIGHT: -	SIZE: A2
FINISH: -		CAGE CODE: 00779	DRAWING NO: C-206438
		CUSTOMER DRAWING	RESTRICTED TO: -
		SCALE: 2:1	SHEET: 1 of 1
			REV: K2