

4

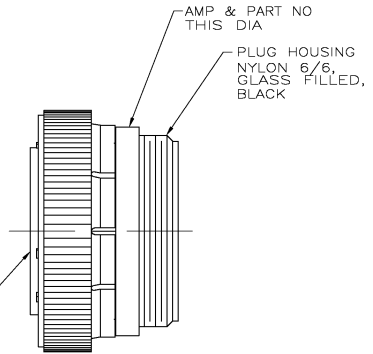
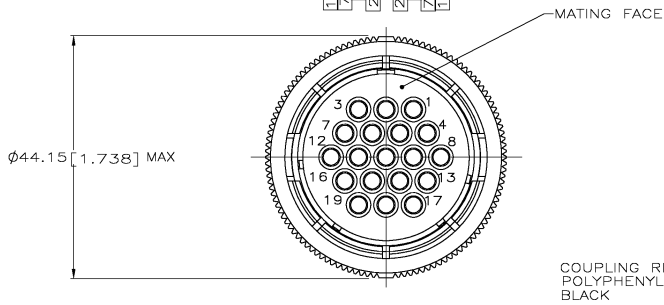
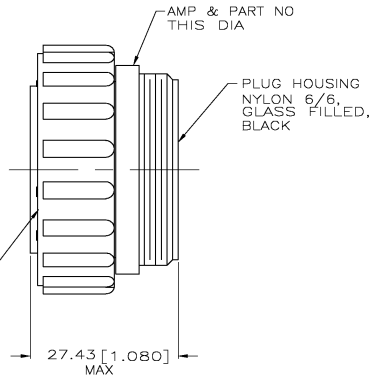
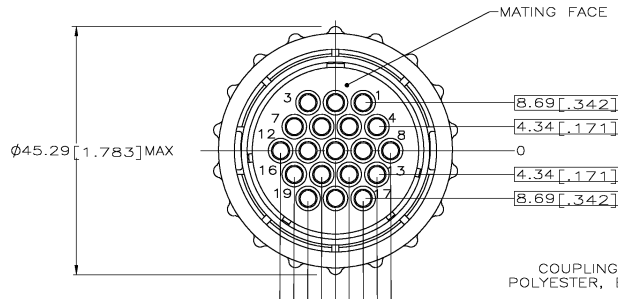
3

2

1

THIS DRAWING IS UNPUBLISHED. RELEASED FOR PUBLICATION. COPYRIGHT BY TYCO ELECTRONICS CORPORATION. ALL RIGHTS RESERVED.

REVISONS		DATE	OWN	APPD
FT	0			
P	LTR			
G	REVISED PER 0638-0207-04	3/10/04	SS	SH



NOTES:

- CONTACT CAVITIES IDENTIFIED BY CHARACTERS ON FRONT AND REAR FACES OF CONNECTOR.
 - CONNECTOR WILL ACCEPT (19) MULTIMATE SOCKET CONTACTS.
- SPECIAL CAVITY DIMENSIONAL FEATURES.

211770-3	3	211770-2
SUPERSEDED BY -2		211700-1
		PART NUMBER

THIS DRAWING IS A CONTROLLED DOCUMENT.		DN S. RIDGLEY 31 JUL 92	Tyco Electronics Tyco Electronics Corporation	
DIMENSIONS: mm		DR K. STONE 28 APR 91	Horriaburg, Pa 17105-3508	
MATERIAL: SEE CALLOUT		APD K. BEAVER 03 APR 91	PLUG ASSY, SHELL SIZE 23, STANDARD SEX, SERIES 1, SPECIAL VDE, CPC	
FINISH: -		PRODUCT SPEC: 108-10024	SEE DATE CODE DRAWING NO: A2 00779	RESTRICTED TO: -
		HEIGHT: -	SCALE: 2:1	SHEET 1 OF 1 REV G
		CUSTOMER DRAWING	PART NUMBER: 211770	

AMP 1431-9 REV 31 MAR 2000

211770

A