

4

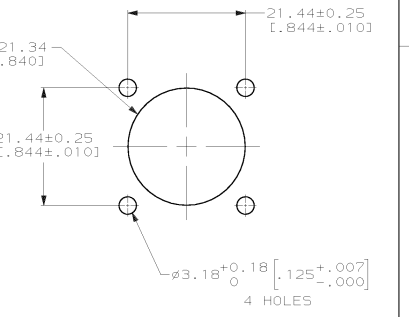
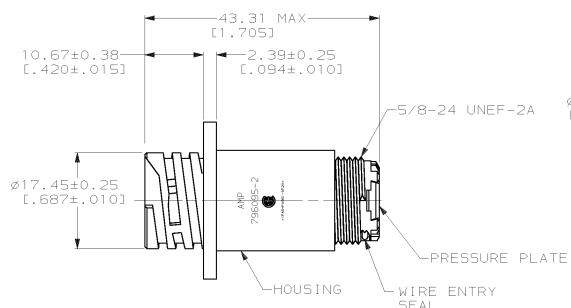
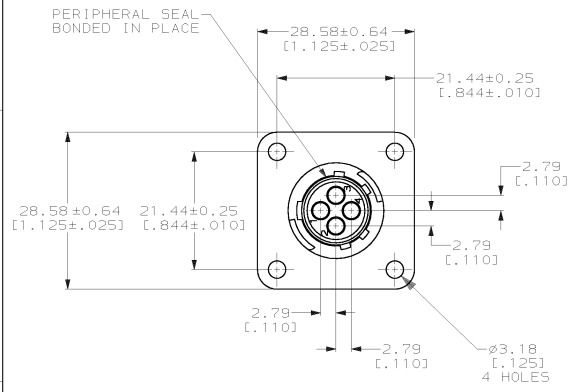
3

2

1

THIS DRAWING IS UNPUBLISHED.
 RELEASED FOR PUBLICATION
 BY AMP INCORPORATED. ALL RIGHTS RESERVED.

LOC	QTY	REV	DESCRIPTION	DATE	BY	APPD
FT	4					
		0	RELEASED PER NPR 5710	25 SEP 98	-	-
		A	REV PER EC 063B-0285-01	15/JAN02	MHC	SH



RECOMMENDED PANEL CUTOUT

- THIS PART WILL ACCEPT FOUR (4) MULTIMATE PIN CONTACTS.
- △ HOUSING AND PRESSURE PLATE: NYLON, BLACK.
 PERIPHERAL SEAL: ELASTOMER, GRAY.
 WIRE ENTRY SEAL: ELASTOMER, RED-IRON OXIDE.

796095-2
 PART NUMBER

THIS DRAWING IS A CONTROLLED DOCUMENT.		DW: C. DOORWART 25 SEP 98 CHK: S. WALTER 25 SEP 98 APPD: S. WALTER 25 SEP 98	AMP Incorporated Harrisburg, PA 17105-3608	NAME: RECEPTACLE ASSEMBLY, 11-4, STANDARD SEX, SERIES 1, SEALED, CIRCULAR PLASTIC CONNECTOR	SIZE: (CASE CODE / DRAWING NO.) A200779 - 796095	RESTRICTED TO: -
DIMENSIONS: mm (INCHES) UNLESS OTHERWISE SPECIFIED: 0 PLC ±.01 1 PLC ±.01 2 PLC ±.01 3 PLC ±.01 4 PLC ±.01 5 PLC ±.01 6 PLC ±.01 7 PLC ±.01 8 PLC ±.01 9 PLC ±.01 10 PLC ±.01 11 PLC ±.01 12 PLC ±.01 13 (L.005) ±.01 14 (L.005) ±.01 15 (L.005) ±.01 16 (L.005) ±.01 17 (L.005) ±.01 18 (L.005) ±.01 19 (L.005) ±.01 20 (L.005) ±.01 21 (L.005) ±.01 22 (L.005) ±.01 23 (L.005) ±.01 24 (L.005) ±.01 25 (L.005) ±.01 26 (L.005) ±.01 27 (L.005) ±.01 28 (L.005) ±.01 29 (L.005) ±.01 30 (L.005) ±.01 31 (L.005) ±.01 32 (L.005) ±.01 33 (L.005) ±.01 34 (L.005) ±.01 35 (L.005) ±.01 36 (L.005) ±.01 37 (L.005) ±.01 38 (L.005) ±.01 39 (L.005) ±.01 40 (L.005) ±.01 41 (L.005) ±.01 42 (L.005) ±.01 43 (L.005) ±.01 44 (L.005) ±.01 45 (L.005) ±.01 46 (L.005) ±.01 47 (L.005) ±.01 48 (L.005) ±.01 49 (L.005) ±.01 50 (L.005) ±.01 51 (L.005) ±.01 52 (L.005) ±.01 53 (L.005) ±.01 54 (L.005) ±.01 55 (L.005) ±.01 56 (L.005) ±.01 57 (L.005) ±.01 58 (L.005) ±.01 59 (L.005) ±.01 60 (L.005) ±.01 61 (L.005) ±.01 62 (L.005) ±.01 63 (L.005) ±.01 64 (L.005) ±.01 65 (L.005) ±.01 66 (L.005) ±.01 67 (L.005) ±.01 68 (L.005) ±.01 69 (L.005) ±.01 70 (L.005) ±.01 71 (L.005) ±.01 72 (L.005) ±.01 73 (L.005) ±.01 74 (L.005) ±.01 75 (L.005) ±.01 76 (L.005) ±.01 77 (L.005) ±.01 78 (L.005) ±.01 79 (L.005) ±.01 80 (L.005) ±.01 81 (L.005) ±.01 82 (L.005) ±.01 83 (L.005) ±.01 84 (L.005) ±.01 85 (L.005) ±.01 86 (L.005) ±.01 87 (L.005) ±.01 88 (L.005) ±.01 89 (L.005) ±.01 90 (L.005) ±.01 91 (L.005) ±.01 92 (L.005) ±.01 93 (L.005) ±.01 94 (L.005) ±.01 95 (L.005) ±.01 96 (L.005) ±.01 97 (L.005) ±.01 98 (L.005) ±.01 99 (L.005) ±.01 100 (L.005) ±.01	DATE: 25 SEP 98 SCALE: 2:1 SHEET: 1 OF 1 REV: A					

796095

A