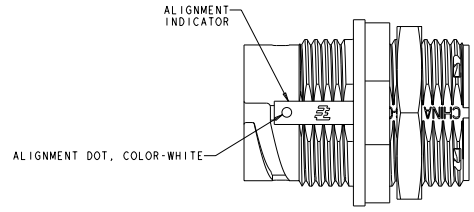
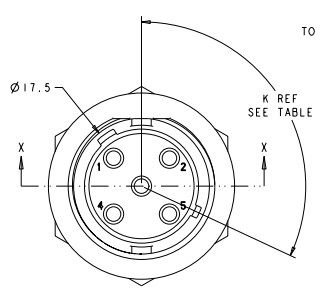


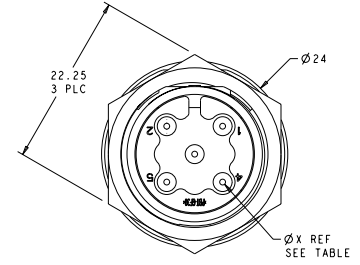
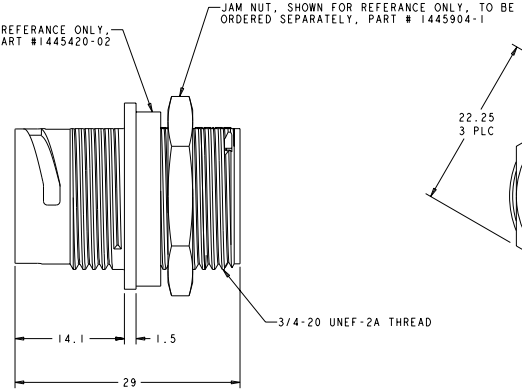
REV	DATE	DESCRIPTION	BY	CHK	APP
B1	REVISED ECO-10-014504				



QUALIFICATION TEST PENDING

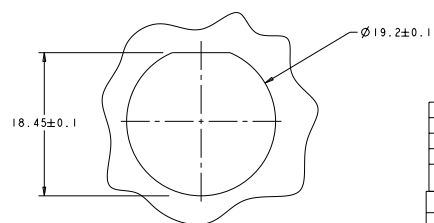
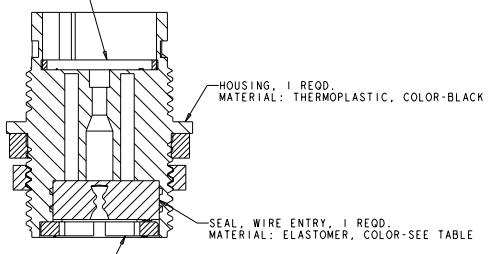


SEAL, PANEL; SHOWN FOR REFERENCE ONLY, TO BE ORDERED SEPARATELY, PART #1445420-02



1. CONNECTOR CAN BE FRONT OR REAR PANEL MOUNTED.
 Δ MAX PANEL THICKNESS - 3.18

SEAL, PERIPHERAL, 1 REOD. MATERIAL: ELASTOMER, COLOR-GRAY



SEAL, WIRE ENTRY COLOR	ϕX REF	K REF	PART NUMBER
YELLOW	$\phi 0.75$	135°	1445824-04
NATURAL	$\phi 1.5$	115°	1445824-03
NATURAL	$\phi 1.5$	135°	1445824-02
YELLOW	$\phi 0.75$	115°	1445824-01

DATE: 08/10/2010	BY: PACE ELECTRONICS CORPORATION	REV: 0	DESCRIPTION: ASSEMBLY, RECEPTACLE, SIZE 11, 5 POSITION, PANEL MOUNT, SEALED, MINI CPC
SCALE: 1:1	CUSTOMER DRAWING	FIGURE NO: 00778	REV: 0