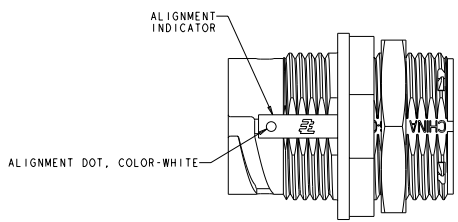
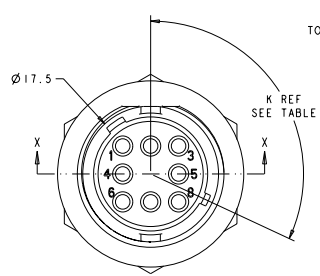


REV. NO.		REV. DATE		REV. DESCRIPTION	
B1	0	REVISED ECU-10-014504	20070108	MMR	MG

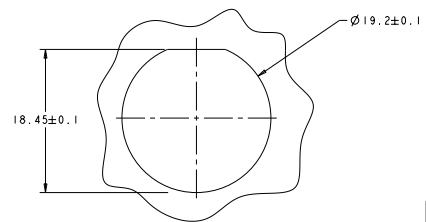
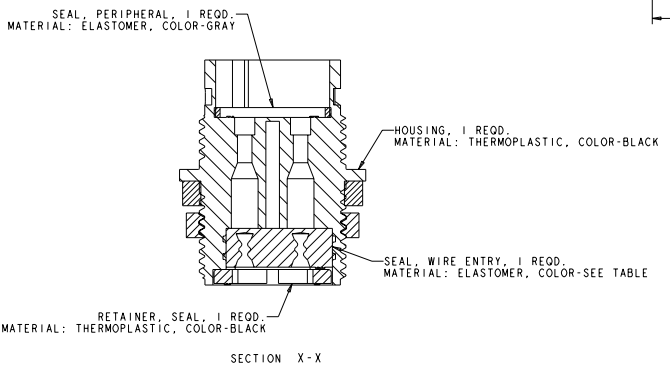
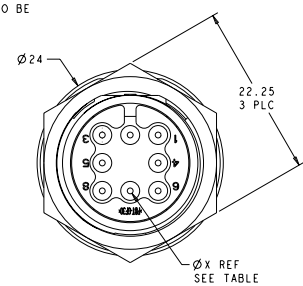
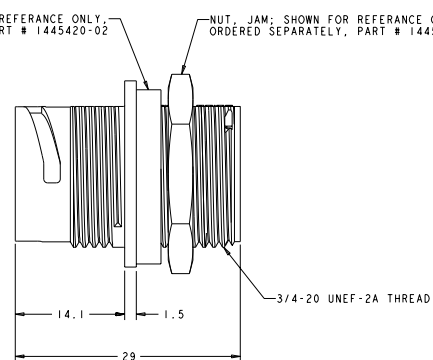


QUALIFICATION TEST PENDING



SEAL PANEL, SHOWN FOR REFERENCE ONLY, TO BE ORDERED SEPARATELY, PART # 1445420-02

NUT, JAM; SHOWN FOR REFERENCE ONLY, TO BE ORDERED SEPARATELY, PART # 1445904-1



1. CONNECTOR CAN BE FRONT OR REAR PANEL MOUNTED.
 ▲ MAX PANEL THICKNESS - 3.18

SEAL, WIRE ENTRY COLOR	Ø X REF	K REF	PART NUMBER
YELLOW	Ø 0.75	135°	1445821-04
NATURAL	Ø 1.5	115°	1445821-03
NATURAL	Ø 1.5	135°	1445821-02
YELLOW	Ø 0.75	115°	1445821-01

DATE: 13JUN2007 TIME: 13:06:20 USER: mmr		SEAL, WIRE ENTRY 120072001		Tece Electronics Harrisburg, PA 17105-3600	
DRAWING: 1445821-01 REV: 0 DATE: 13JUN2007 TIME: 13:06:20 USER: mmr		ASSEMBLY, RECEPTACLE, SIZE 11, 8 POSITION, PANEL MOUNT, SEALED, MINI CPC		STATE: PA COUNTY: YORK CITY: HARRISBURG ZIP: 17105-3600	
MATERIAL: PLASTIC FINISH:		REVISION: A DATE: 13JUN2007 TIME: 13:06:20 USER: mmr		PART NUMBER: 1445821-01 QUANTITY: 1	
SHEET: 1 OF 1 TOTAL SHEETS: 1		CUSTOMER DRAWING		SCALE: 2:1 DRAWN BY: mmr CHECKED BY: mg	