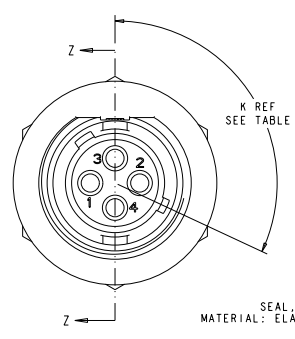
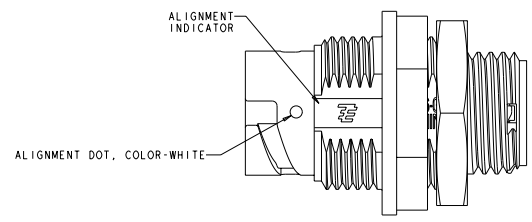
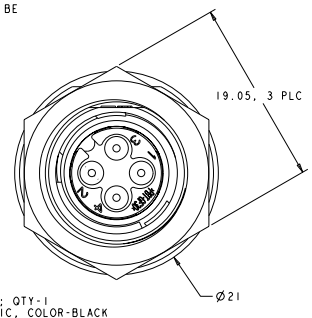
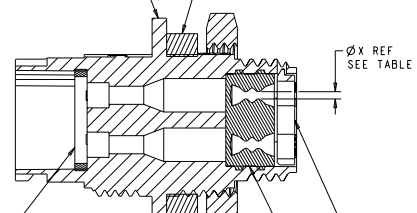


REV. NO.		REVISIONS	
FT	0	DESCRIPTION	DATE
B2		REVISED PER ECO-11-004820	



HOUSING, RECEPTACLE: QTY-1
 MATERIAL: THERMOPLASTIC, COLOR-BLACK

SEAL, PANEL; SHOWN FOR REFERENCE ONLY, TO BE ORDERED SEPARATELY, PART #1445420-01



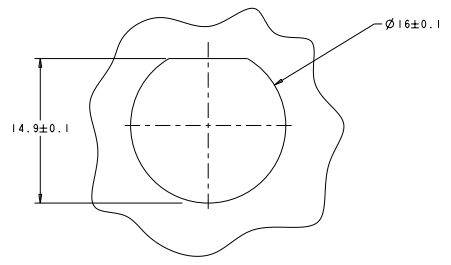
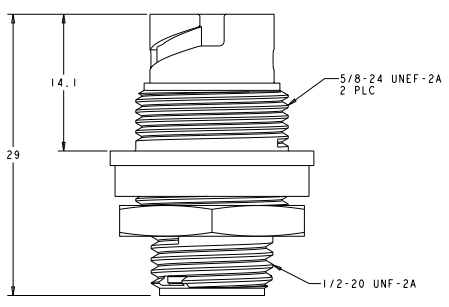
SEAL, PERIPHERAL: QTY-1
 MATERIAL: ELASTOMER, COLOR-GRAY

PLATE, SEAL RETENTION: QTY-1
 MATERIAL: THERMOPLASTIC, COLOR-BLACK

SEAL, WIRE ENTRY: QTY-1
 MATERIAL: ELASTOMER, COLOR-SEE TABLE

NUT, JAM; SHOWN FOR REFERENCE ONLY, TO BE ORDERED SEPARATELY, PART # 1604196-1

1. CONNECTOR CAN BE FRONT OR REAR PANEL MOUNTED.
 △ MAX PANEL THICKNESS - 3.18.



SUGGESTED PANEL CUTOUT △

QUALIFICATION TEST PENDING

SEAL, WIRE ENTRY COLOR	Ø X REF	K REF	PART NUMBER
YELLOW	Ø 0.75	130°	1445421-04
NATURAL	Ø 1.5	115°	1445421-03
NATURAL	Ø 1.5	130°	1445421-02
YELLOW	Ø 0.75	115°	1445421-01

THIS DRAWING IS A CONTROLLED DOCUMENT. QTY: 510022001

DATE: 12 JUN 2003

BY: M. WALKER

DATE: 12 JUN 2003

SCALE: 1:1

APPROVED: [Signature]

DATE: 12 JUN 2003

DESCRIPTION: ASSEMBLY, RECEPTACLE, SIZE 8, 4 POSITION, PANEL MOUNT, MINI CPC

SIZE: A

SCALE CODE: 1445421

REV: 00779

CUSTOMER DRAWING: [Signature]

DATE: 5/11/03

BY: [Signature]

APP: B2