

4

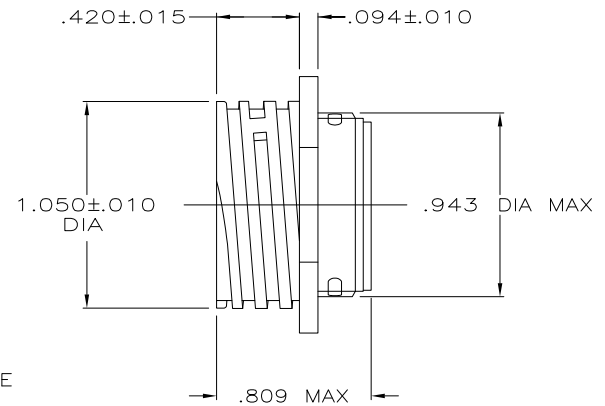
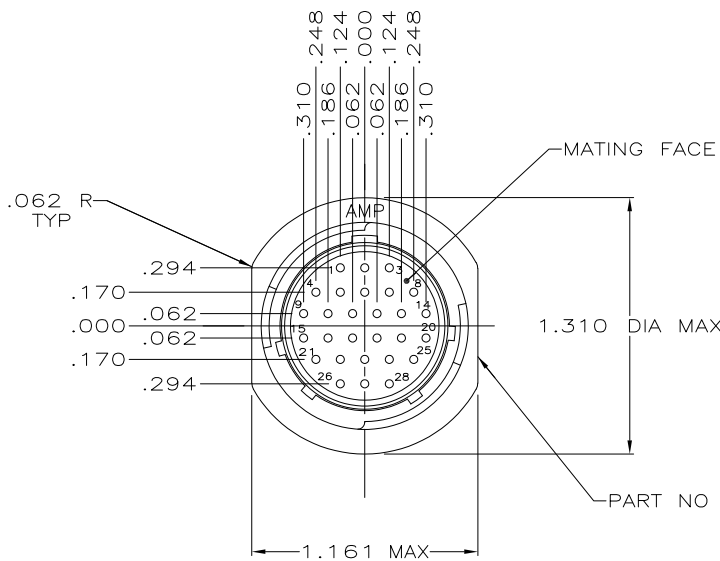
3

2

1

THIS DRAWING IS UNPUBLISHED. RELEASED FOR PUBLICATION
 © COPYRIGHT - By - ALL RIGHTS RESERVED.

MOD		LOC	DIST	REVISIONS				
P	LTR	DESCRIPTION		DATE	DWN	APVD		
23	BD	35		E1	REVISED PER ECO-11-005027	12MAR11	RK	HMR



- CONTACT CAVITIES IDENTIFIED BY CHARACTERS ON FRONT AND REAR FACES OF CONNECTOR.
- WILL ACCEPT (28) SIZE 20 PIN CONTACTS.

206152-1
 PART NUMBER

THIS DRAWING IS A CONTROLLED DOCUMENT.		DWN A. STAUB BG 4/1/91	TE Connectivity RECEPTACLE ASSEMBLY, STD SEX, SERIES 2, 17-28, CPC	
DIMENSIONS: INCHES		CHK W.G. LENKER 7-24-92		
		APVD K. BEAVER 7-24-92	PRODUCT SPEC 108-10024	RESTRICTED TO
TOLERANCES UNLESS OTHERWISE SPECIFIED:		APPLICATION SPEC	SIZE A3	CAGE CODE 00779
MATERIAL THERMOPLASTIC, BLACK		FINISH	DRAWING NO C-206152	SCALE 2:1
0 PLC ± - 1 PLC ± - 2 PLC ± - 3 PLC ± .005 4 PLC ± - ANGLES ± -		WEIGHT	SHEET 1 of 1	REV E1
		CUSTOMER DRAWING		