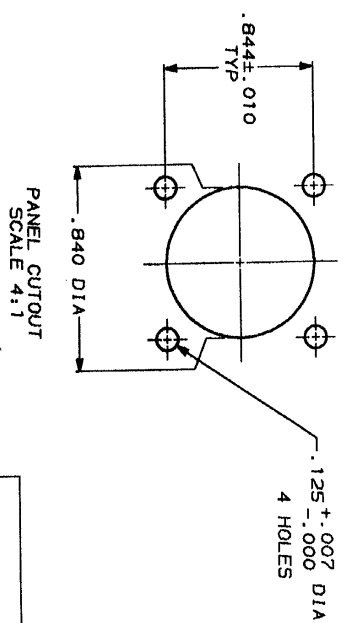
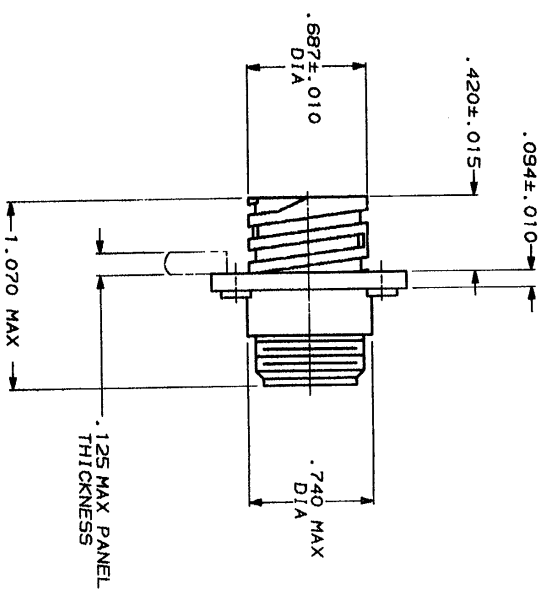
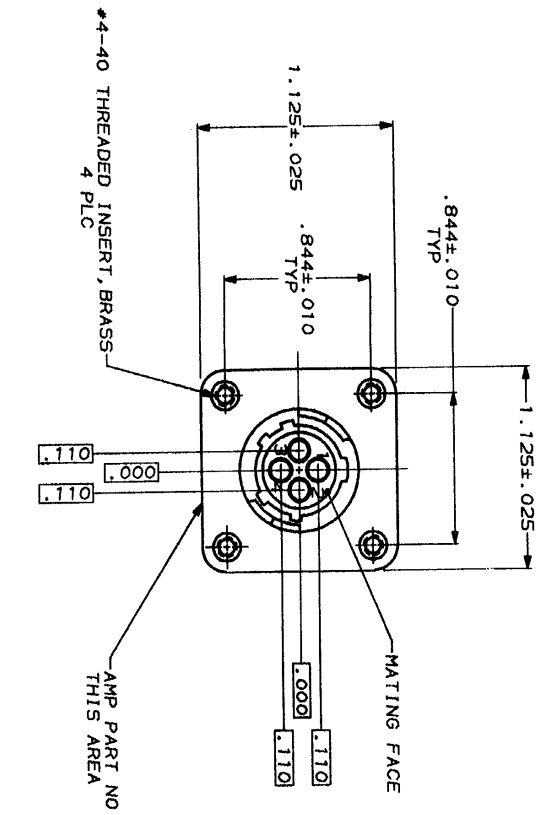


REV	DATE	BY	DESCRIPTION
23	BD	39	
REVISIONS		DATE	APPD
ZONE	LTR	8/1/90	
A	REDRAWN		



1. CONTACT CAVITIES IDENTIFIED BY CHARACTERS ON FRONT AND REAR FACES OF CONNECTOR.
2. CONNECTOR WILL ACCEPT FOUR (4) MULTIMATE SOCKET CONTACTS.

DO NOT SCALE PRINT. UNLESS SPECIFIED DIMENSIONS IN INCHES SHALL BE TO 1/16".	OR 8/1/90	NAME
5 PLG DEC ± .005	CHK - R. Beck	AMP Incorporated
ANGLES ± .1	APPD - H. Beck	Morrisburg, PA 17105-3608
MATERIAL: THERMOPLASTIC, BLACK	5-2-91	
PRODUCT SPEC: 9/2/90	9/2/90	
APPLICATION SPEC		
WEIGHT		
SIZE	QAGE CODE	DRAWING NO
SCALE 2:1	00779	211102
		SHEET 1 OF 1

211102-1
 PART NUMBER

211102

CUSTOMER DRAWING