

4

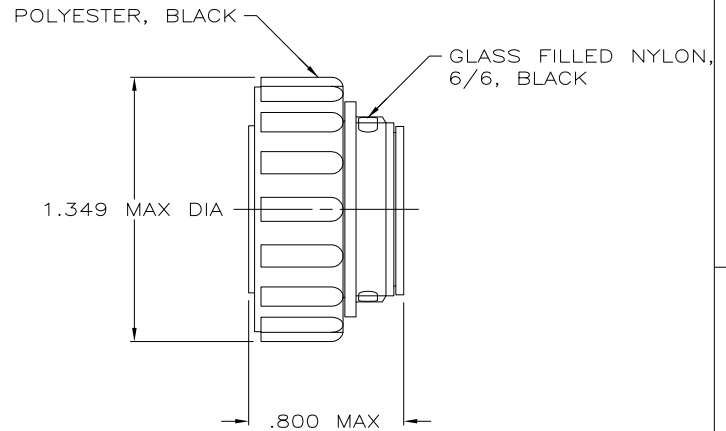
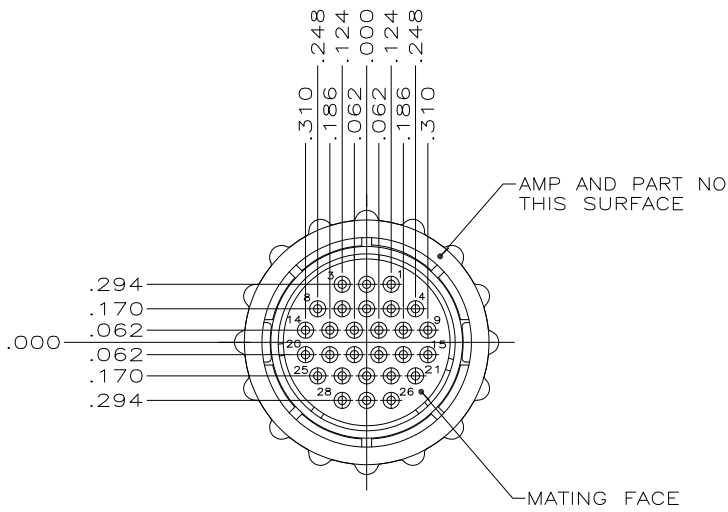
3

2

1

THIS DRAWING IS UNPUBLISHED. RELEASED FOR PUBLICATION  
 © COPYRIGHT - By - ALL RIGHTS RESERVED.

LOC		DIST		REVISIONS			
P	LTR	DESCRIPTION		DATE	DWN	APVD	
	H2	REVISED PER ECO-11-004820		11MAR11	RK	HMR	



3 OBSOLETE	SMALL PACK	205839-4
	STANDARD	205839-3
	PACKAGING	PART NUMBER

- CONTACT CAVITIES IDENTIFIED BY CHARACTERS ON FRONT AND REAR FACES OF CONNECTOR.
- WILL ACCEPT (28) SIZE 20 SOCKET CONTACTS.

3 OBSOLETE PARTS: OBSOLETE CIS  
 STREAMLINING PER D.RENAUD/D.SINISI

THIS DRAWING IS A CONTROLLED DOCUMENT.		DWN	4/1/91		 TE Connectivity														
		CHK	7-23-92																
		APVD	7-23-92																
		NAME	K.BEAVER																
DIMENSIONS:		PRODUCT SPEC		PLUG ASSEMBLY, STD SEX, SERIES 2, 17-28, CPC															
INCHES		APPLICATION SPEC		108-10024															
<table border="1"> <tr> <th colspan="2">TOLERANCES UNLESS OTHERWISE SPECIFIED:</th> </tr> <tr> <td>0 PLC</td> <td>± -</td> </tr> <tr> <td>1 PLC</td> <td>± -</td> </tr> <tr> <td>2 PLC</td> <td>± -</td> </tr> <tr> <td>3 PLC</td> <td>± .005</td> </tr> <tr> <td>4 PLC</td> <td>± -</td> </tr> <tr> <td>ANGLES</td> <td>± -</td> </tr> </table>		TOLERANCES UNLESS OTHERWISE SPECIFIED:		0 PLC	± -	1 PLC	± -	2 PLC	± -	3 PLC	± .005	4 PLC	± -	ANGLES	± -	WEIGHT		RESTRICTED TO	
TOLERANCES UNLESS OTHERWISE SPECIFIED:																			
0 PLC	± -																		
1 PLC	± -																		
2 PLC	± -																		
3 PLC	± .005																		
4 PLC	± -																		
ANGLES	± -																		
MATERIAL		SIZE		CAGE CODE															
SEE		A3		00779															
		DRAWING NO		C-205839															
		CUSTOMER DRAWING		SCALE 2:1 SHEET 1 OF 1 REV H2															