

4

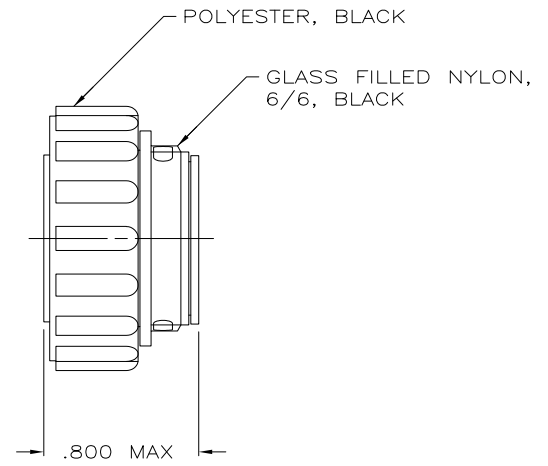
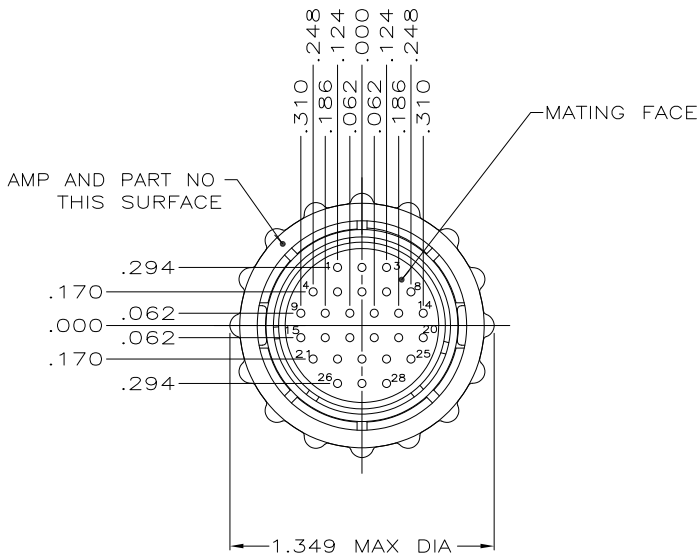
3

2

1

THIS DRAWING IS UNPUBLISHED. RELEASED FOR PUBLICATION
 © COPYRIGHT - By - ALL RIGHTS RESERVED.

LOC		DIST		REVISIONS				
P	LTR	DESCRIPTION			DATE	DWN	APVD	
	F1	REVISED PER ECO-11-004820			11MAR11	RK	HMR	



- CONTACT CAVITIES IDENTIFIED BY CHARACTERS ON FRONT AND REAR FACES OF CONNECTOR.
- WILL ACCEPT (28) SIZE 20 PIN CONTACTS.

206039-1
 PART NUMBER

THIS DRAWING IS A CONTROLLED DOCUMENT.		DWN A. STAUB BG 4/1/91	TE Connectivity PLUG ASSEMBLY, REV SEX, SERIES 2, 17-28, CPC		RESTRICTED TO -																		
DIMENSIONS: INCHES		CHK W.G. LENKER 7-23-92				NAME																	
TOLERANCES UNLESS OTHERWISE SPECIFIED:		APVD K. BEAVER 7-23-92	PRODUCT SPEC 108-10024																				
<table border="1"> <tr><td>0</td><td>PLC</td><td>± -</td></tr> <tr><td>1</td><td>PLC</td><td>± -</td></tr> <tr><td>2</td><td>PLC</td><td>± -</td></tr> <tr><td>3</td><td>PLC</td><td>± .005</td></tr> <tr><td>4</td><td>PLC</td><td>± -</td></tr> <tr><td colspan="2">ANGLES</td><td>± -</td></tr> </table>		0	PLC	± -	1	PLC	± -	2	PLC	± -	3	PLC	± .005	4	PLC	± -	ANGLES		± -	APPLICATION SPEC	SIZE A3	CAGE CODE 00779	DRAWING NO C=206039
0	PLC	± -																					
1	PLC	± -																					
2	PLC	± -																					
3	PLC	± .005																					
4	PLC	± -																					
ANGLES		± -																					
MATERIAL SEE CALLOUTS		FINISH -	WEIGHT -	CUSTOMER DRAWING																			
			SCALE 2:1	SHEET 1 of 1	REV F1																		