

4

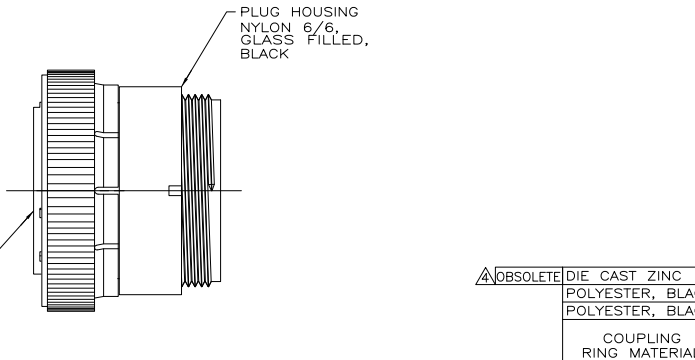
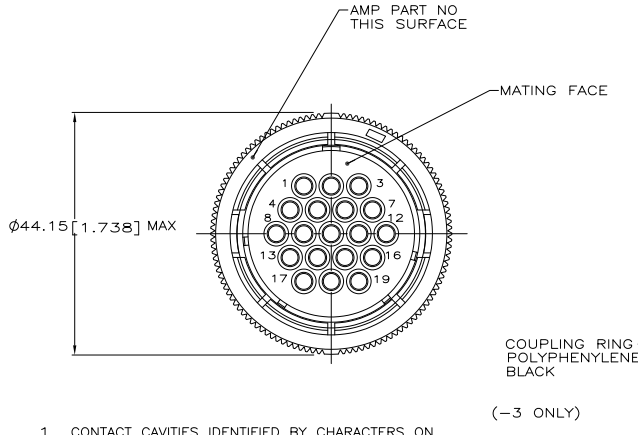
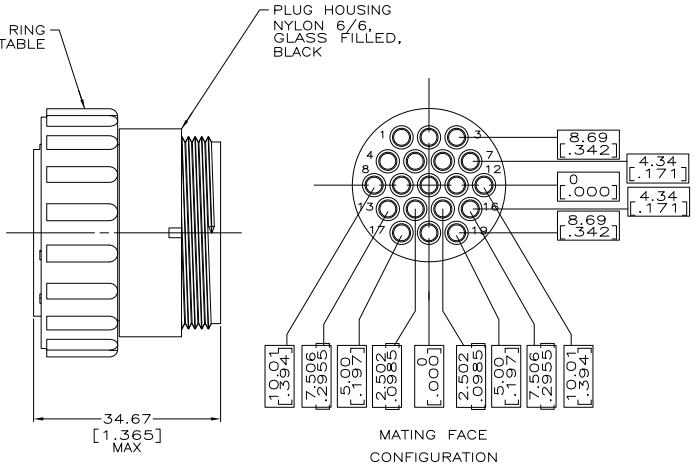
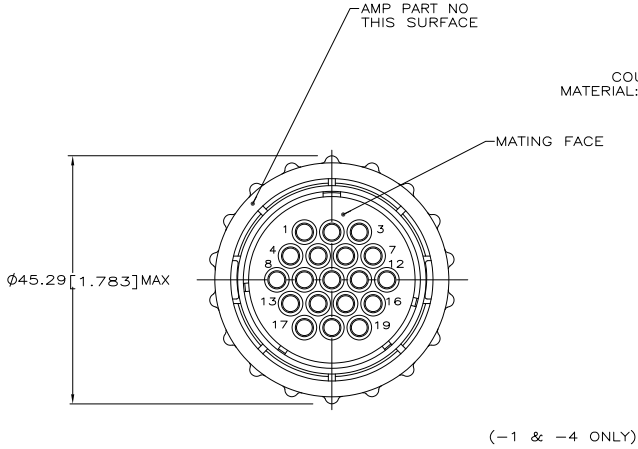
3

2

1

THIS DRAWING IS UNPUBLISHED. RELEASED FOR PUBLICATION. ALL RIGHTS RESERVED.

LOC	DIST	REVISIONS					
FT	0	F	LNK	DESCRIPTION	DATE	BY	APPD
		E3		REVISED PER ECO-11-004917	11MAR11	RK	HMR



OBsolete	DIE CAST ZINC	211772-4
	POLYESTER, BLACK	211772-3
	POLYESTER, BLACK	211772-1
	COUPLING RING MATERIAL	PART NUMBER

- CONTACT CAVITIES IDENTIFIED BY CHARACTERS ON FRONT AND REAR FACES OF CONNECTOR.
 - THIS PART WILL ACCEPT 19 MULTIMATE PIN CONTACTS.
 - NORMAL KEYING.
- OBsolete PARTS: OBsolete CIS STREAMLINING PER D.RENAUD/D.SINISI

THIS DRAWING IS A CONTROLLED DOCUMENT.

DIMENSIONS: mm [INCHES]	TOLERANCES UNLESS OTHERWISE SPECIFIED:	DRW: S. RIDGLEY 31 JUL 90	CHK: R. STONE 28 APR 91	APD: K. BEAVER 03 APR 91	NAME: 108-10024	SIZE: A2	CAGE CODE: 00779	DRAWING NO: C=211772	RESTRICTED TO: -
MATERIAL: -	FINISH: -	CUSTOMER DRAWING			SCALE: 2:1	SHEET: 1 of 1	REV: E3	TE Connectivity	

PLUG ASSEMBLY, SHELL SIZE 23, REVERSE SEX, SPECIAL VDE, CPC