

4

3

2

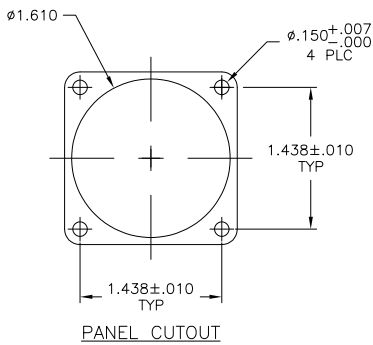
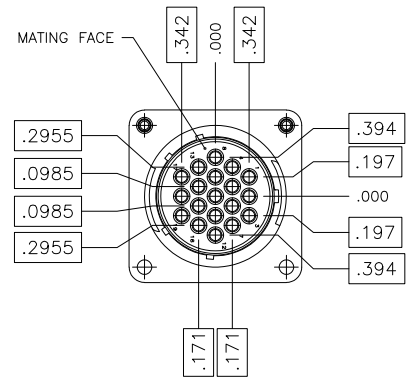
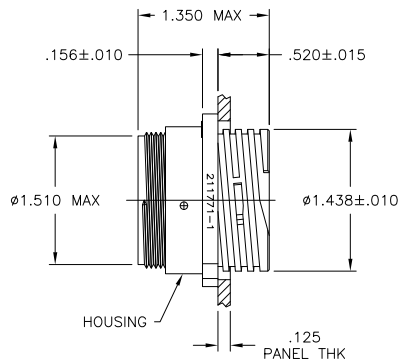
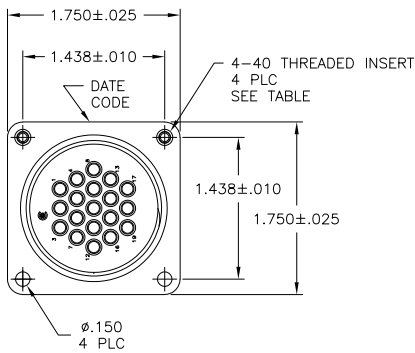
1

THIS DRAWING IS UNPUBLISHED. RELEASED FOR PUBLICATION
 © COPYRIGHT - By - ALL RIGHTS RESERVED.

LOC		DIST		REVISIONS			
P	LTR	DESCRIPTION	DATE	DWN	APVD		
	D1	REVISED PER ECO-11-004917	11MAR11	RK	HMR		

NOTES:

- 1. HOUSING: NYLON, BLACK.
THREADED INSERTS: BRASS.
- 2. WILL ACCEPT (19) MULTIMATE PIN CONTACTS.



YES	NORMAL	211771-2
NO	NORMAL	211771-1
4-40 THREADED INSERTS	KEYING	PART NUMBER

THIS DRAWING IS A CONTROLLED DOCUMENT.		DWN C. OBERMAN 8-16-94	TE Connectivity	
DIMENSIONS: INCHES		CHK R. STONE 8-17-94	RECEPTACLE HOUSING, STD SEX, SERIES I, SHELL SIZE 23, CPC	
TOLERANCES UNLESS OTHERWISE SPECIFIED:		APVD 10-3-94 A. FRANTUM	NAME	RESTRICTED TO
0 PLC ± -	1 PLC ± -	PRODUCT SPEC 10-3-94 A. FRANTUM	SIZE	CAGE CODE
2 PLC ± .005	3 PLC ± -	APPLICATION SPEC	A3	00779
4 PLC ± -	ANGLES ± -	WEIGHT	DRAWING NO	C-211771
MATERIAL	FINISH	CUSTOMER DRAWING	SCALE	1:1
			SHEET	1 of 1
			REV	D1