

4

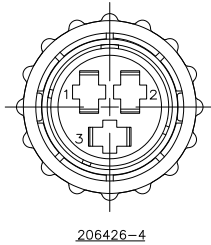
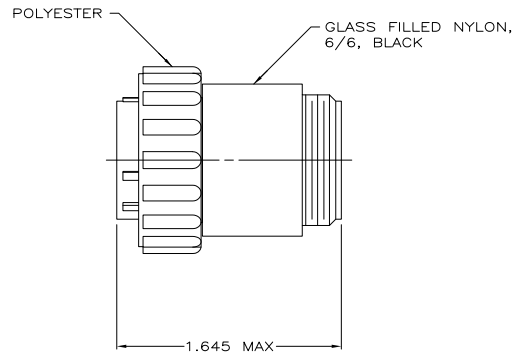
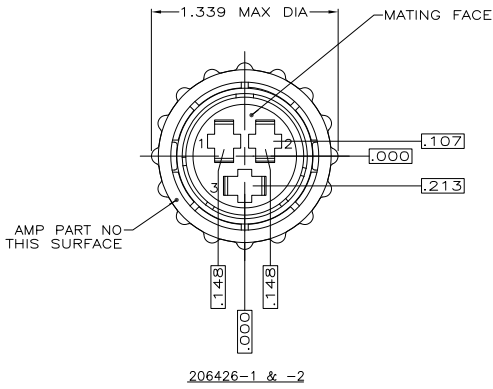
3

2

1

THIS DRAWING IS UNPUBLISHED. RELEASED FOR PUBLICATION
 © COPYRIGHT - By - ALL RIGHTS RESERVED.

LOC		DIBT		REVISIONS			
P	LTR	DESCRIPTION	DATE	BY	APPD		
	F2	REVISED PER ECO-11-004820	11MAR11	RK	HMR		



B	BLACK	VALOX	206426-4
A	GRAY	NORYL	206426-2
A	BLACK	VALOX	206426-1
KEYING STYLE	COUPLING RING COLOR	COUPLING RING MATL	PART NUMBER

- CONTACT CAVITIES IDENTIFIED BY CHARACTERS ON FRONT AND REAR FACES OF CONNECTOR.
- WILL ACCEPT (3) TYPE XII PIN CONTACTS.

THIS DRAWING IS A CONTROLLED DOCUMENT. DR: S. BRIDGLEY BC 8/2/90
 OK: B. STONE 04/28/91
 NAME: TE Connectivity

DIMENSIONS: INCHES	OTHER DIMENSIONS: MILLIMETERS	PRODUCT SPEC	APPLICATION SPEC	SIZE	CAGE CODE	DRAWING NO	RESTRICTED TO
0 PLC	0			A2	00779	C-206426	
1 PLC	1						
2 PLC	2						
3 PLC	3						
4. PIC ANGLES	4						
MATERIAL: SEE	FINISH: -	WEIGHT: -					
CUSTOMER DRAWING		SCALE: 2:1	SHEET: 1 of 1	REV: F2			