

4

3

2

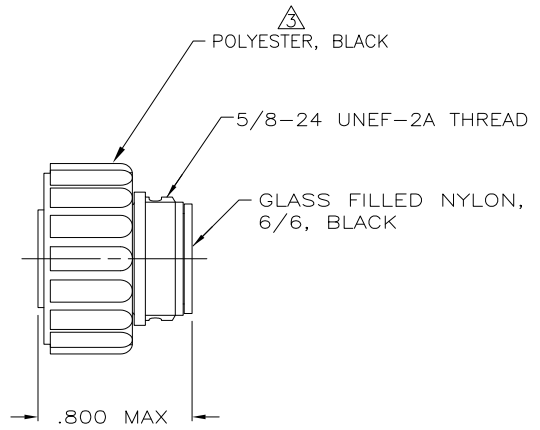
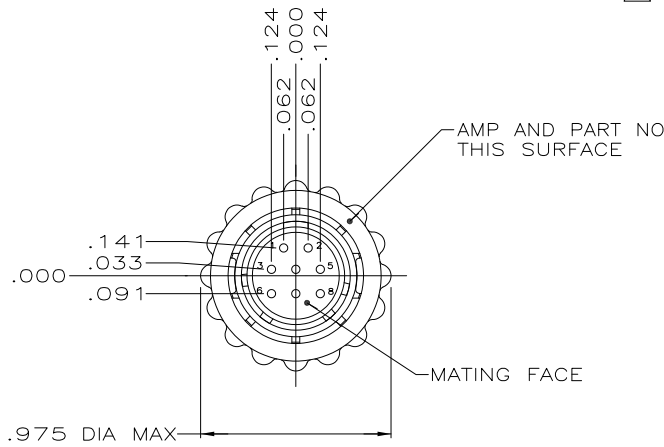
1

THIS DRAWING IS UNPUBLISHED. RELEASED FOR PUBLICATION  
 © COPYRIGHT - By - ALL RIGHTS RESERVED.

LOC		DIST		REVISIONS			
P	LTR	DESCRIPTION		DATE	DWN	APVD	
	F2	REVISED PER ECO-11-004587		11MAR11	RK	HMR	

NOTES:

- CONTACT CAVITIES IDENTIFIED BY CHARACTERS ON FRONT AND REAR FACES OF CONNECTOR.
- WILL ACCEPT (8) SIZE PIN CONTACTS.
- 206434-1 ONLY. COUPLING RING REMOVE FOR 206434-2.
- OBSOLETE PARTS: OBSOLETE CIS STREAMLINING PER D.RENAUD/D.SINISI



4 OBSOLETE	206434-2
	206434-1
PART NUMBER	

THIS DRAWING IS A CONTROLLED DOCUMENT.		DWN	4/8/91		<b>STE</b> TE Connectivity
		CHK	7-23-92		
DIMENSIONS:		TOLERANCES UNLESS OTHERWISE SPECIFIED:		NAME	
INCHES				W.G.LENKER	
		0 PLC	± -	PRODUCT SPEC	
		1 PLC	± -	108-10024	
		2 PLC	± -	APPLICATION SPEC	
		3 PLC	± .005		
MATERIAL		FINISH		SIZE	CAGE CODE
SEE				A3	00779
				DRAWING NO	RESTRICTED TO
				©-206434	-
CUSTOMER DRAWING				SCALE	SHEET
				2:1	1 of 1
				REV	F2