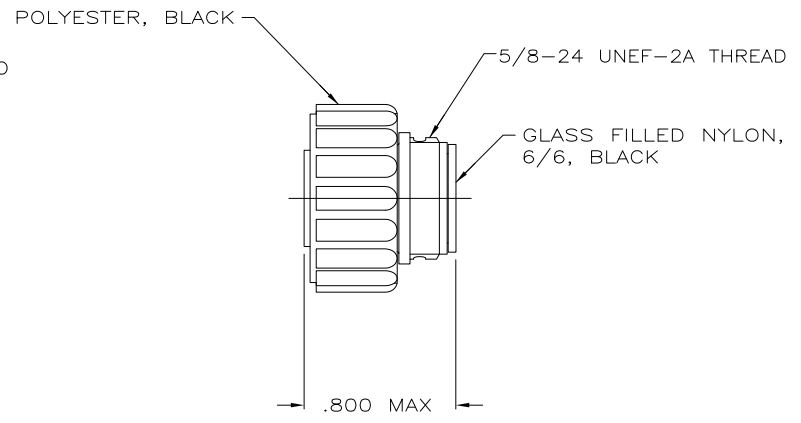
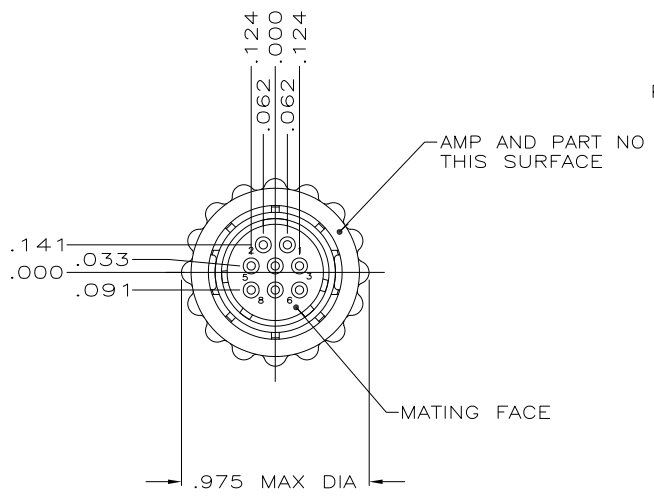


4 3 2 1

THIS DRAWING IS UNPUBLISHED. RELEASED FOR PUBLICATION
 © COPYRIGHT - By - ALL RIGHTS RESERVED.

LOC	DIST	REVISIONS			
P	LTR	DESCRIPTION	DATE	DWN	APVD
FT	4				
	G2	REVISED PER ECO-11-004820	11MAR11	RK	HMR



- CONTACT CAVITIES IDENTIFIED BY CHARACTERS ON FRONT AND REAR FACES OF CONNECTOR.
- WILL ACCEPT EIGHT SIZE 20 SOCKET CONTACTS.

3 OBSOLETE PARTS: OBSOLETE CIS STREAMLINING PER D.RENAUD/D.SINISI

3 OBSOLETE	SMALL PACK	205838-2
	STANDARD	205838-1
	PACKAGING	PART NUMBER

THIS DRAWING IS A CONTROLLED DOCUMENT.		DWN A. STAUB BG 4/3/91	TE TE Connectivity																		
DIMENSIONS: INCHES		CHK W.G LENKER 7-23-92																			
TOLERANCES UNLESS OTHERWISE SPECIFIED:		APVD K. BEAVER 7-23-92	NAME PLUG ASSEMBLY, STD SEX, SERIES 2, 11-8, CPC																		
<table border="1"> <tr><td>0</td><td>PLC</td><td>± -</td></tr> <tr><td>1</td><td>PLC</td><td>± -</td></tr> <tr><td>2</td><td>PLC</td><td>± -</td></tr> <tr><td>3</td><td>PLC</td><td>± .005</td></tr> <tr><td>4</td><td>PLC</td><td>± -</td></tr> <tr><td colspan="2">ANGLES</td><td>± -</td></tr> </table>		0	PLC	± -	1	PLC	± -	2	PLC	± -	3	PLC	± .005	4	PLC	± -	ANGLES		± -	PRODUCT SPEC 108-10024	
0	PLC	± -																			
1	PLC	± -																			
2	PLC	± -																			
3	PLC	± .005																			
4	PLC	± -																			
ANGLES		± -																			
MATERIAL SEE CALLOUTS		APPLICATION SPEC -	SIZE A3	CAGE CODE 00779																	
		WEIGHT -	DRAWING NO C=205838	RESTRICTED TO -																	
		CUSTOMER DRAWING		SCALE 2:1 SHEET 1 of 1 REV G2																	