

4

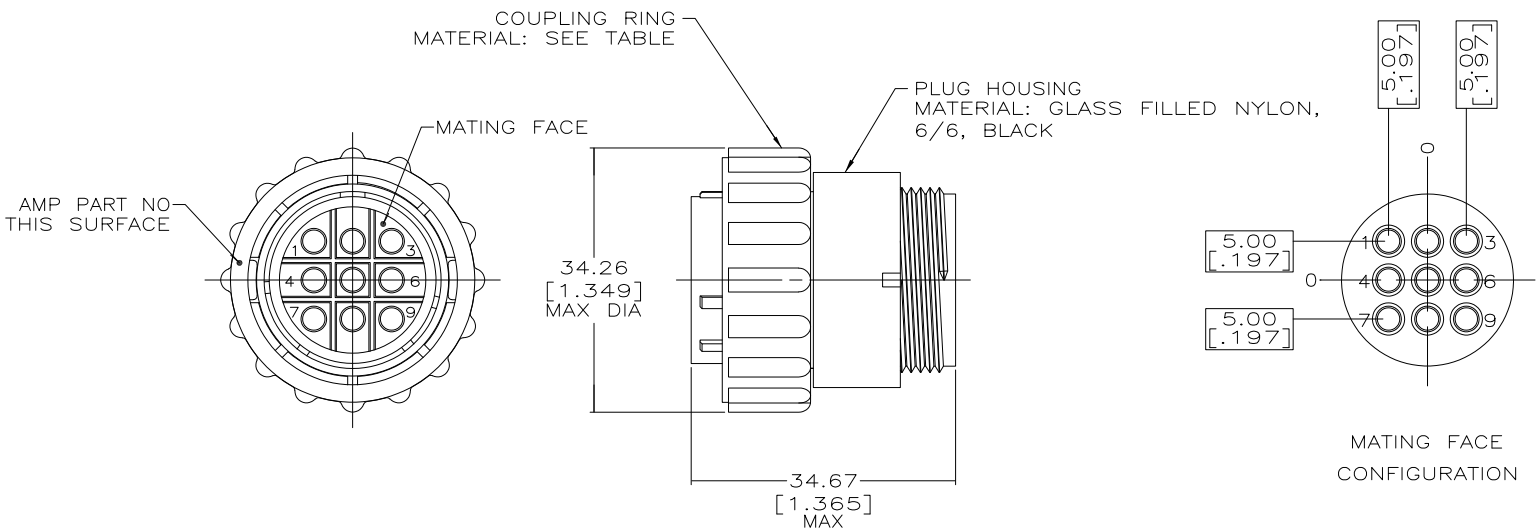
3

2

1

THIS DRAWING IS UNPUBLISHED. RELEASED FOR PUBLICATION
 © COPYRIGHT - By - ALL RIGHTS RESERVED.

LOC	DIST	REVISIONS			
P	LTR	DESCRIPTION	DATE	DWN	APVD
FT	0				
	D3	REVISED PER ECO-11-004917	11MAR11	RK	HMR



- CONTACT CAVITIES IDENTIFIED BY CHARACTERS ON FRONT AND REAR FACES OF CONNECTOR.
- THIS PART WILL ACCEPT 9 MULTIMATE PIN CONTACTS.

SUPERSEDED BY 211768-1	DIE CAST ZINC	-211768-2
	POLYESTER, BLACK	211768-1
	COUPLING RING MATERIAL	PART NUMBER

THIS DRAWING IS A CONTROLLED DOCUMENT.		DWN K.FOLTZ 06/29/94	TE Connectivity	
DIMENSIONS: mm [INCHES]		CHK R.STONE 06/30/94	APVD	
TOLERANCES UNLESS OTHERWISE SPECIFIED:		NAME		
0 PLC ± -		PRODUCT SPEC		
1 PLC ± -		APPLICATION SPEC		
2 PLC ± -		SIZE		
3 PLC ± -		CAGE CODE		
4 PLC ± -		DRAWING NO		
ANGLES ± -		RESTRICTED TO		
MATERIAL	FINISH	WEIGHT	A3 00779	C-211768
CUSTOMER DRAWING		SCALE	2:1	SHEET 1 of 1 REV D3