

4

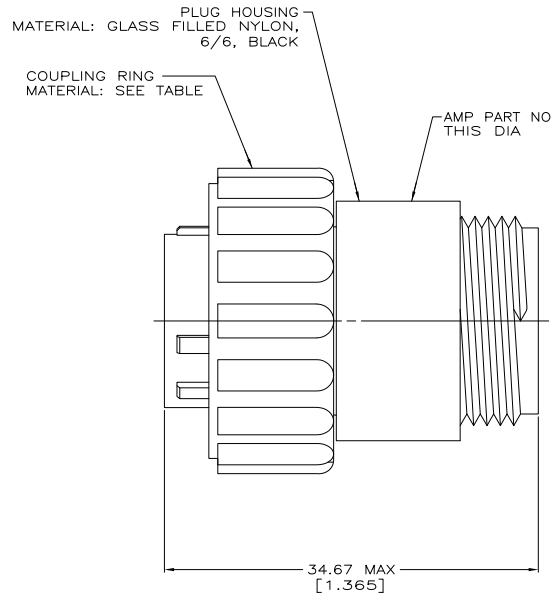
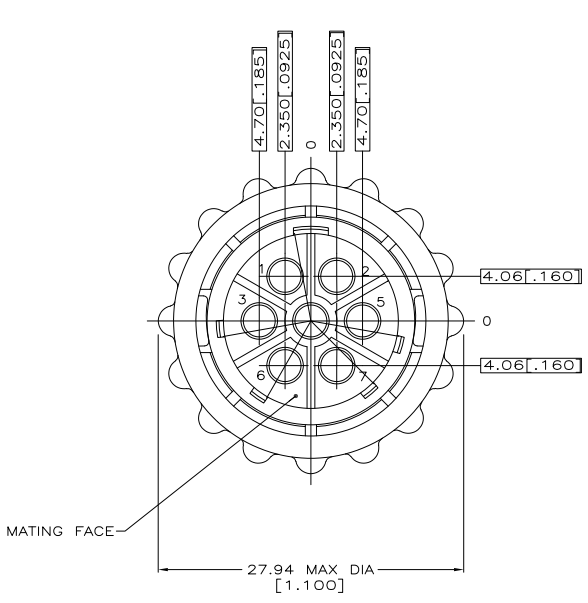
3

2

1

THIS DRAWING IS UNPUBLISHED. RELEASED FOR PUBLICATION
 © COPYRIGHT - By - ALL RIGHTS RESERVED.

LOC	DIST	REVISIONS			
P	LTR	DESCRIPTION	DATE	BY	APPD
FT	0				
	D3	REVISED PER ECO-11-004820	11MAR11	RK	HMR



- CONTACT CAVITIES IDENTIFIED BY CHARACTERS ON FRONT AND REAR FACES OF CONNECTOR.
- WILL ACCEPT SEVEN (7) MULTIMATE PIN CONTACTS.

3 OBSOLETE PARTS: OBSOLETE CIS STREAMLINING PER D.RENAUD/D.SINISI

3 OBSOLETE	DIE CAST ZINC	-211400-2
	POLYESTER, BLACK	211400-1
	COUPLING RING MATERIAL	PART NUMBER

THIS DRAWING IS A CONTROLLED DOCUMENT.		DR: D.HARDY 07-01-94	TE Connectivity	
DIMENSIONS: INCHES		CK: B. STONE 08-10-94	VDE PLUG ASSEMBLY, REVERSE SEX, 13-7, CPC	
OTHER DIMENSIONS: MILLIMETERS		APD: -	SIZE: A2	
0 PLC: -		PRODUCT SPEC: -	CAGE CODE: C=211400	
1 PLC: -		APPLICATION SPEC: -	DRAWING NO: -	
2 PLC: -		WEIGHT: -	RESTRICTED TO: -	
3 PLC: -		CUSTOMER DRAWING		
4 PLC: -		SCALE: 4:1		
ANGLES: -		SHEET: 1 of 1		
FINISH: -		REV: D3		