

4

3

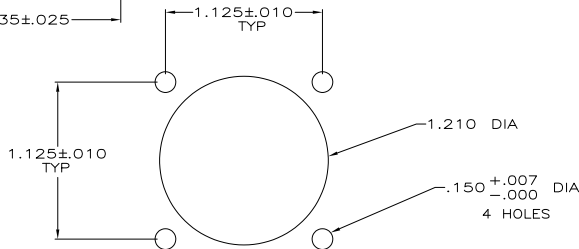
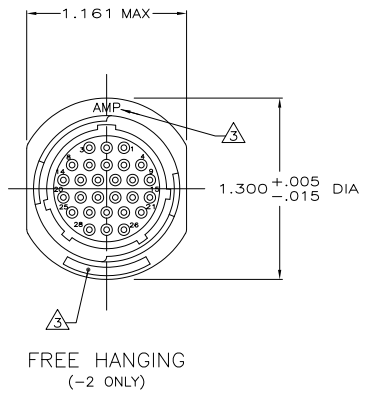
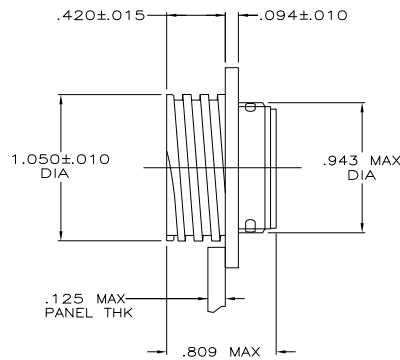
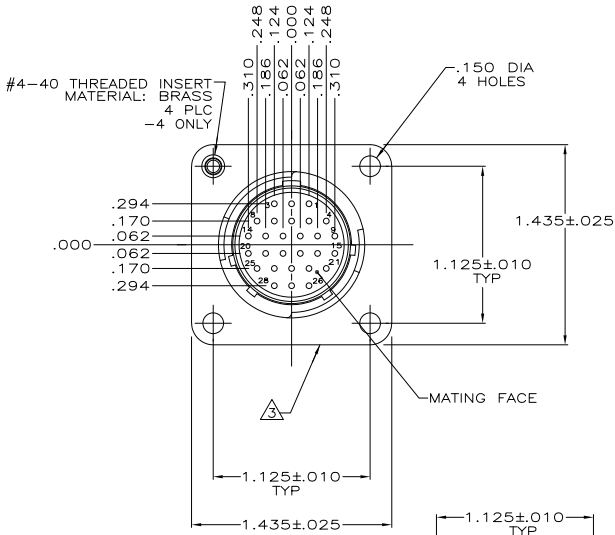
23

2

1

THIS DRAWING IS UNPUBLISHED. RELEASED FOR PUBLICATION
 © COPYRIGHT - By - ALL RIGHTS RESERVED.

LOC	DIST	REVISIONS					
		P	LR	DESCRIPTION	DATE	BY	APPD
BD	35	H1		REVISED PER ECO-11-004820	11MAR11	RK	HMR



PANEL CUTOUT

1. CONTACT CAVITIES IDENTIFIED BY CHARACTERS ON FRONT AND REAR FACES OF CONNECTOR.
 2. WILL ACCEPT (28) SIZE 20 SOCKET CONTACTS.
- △ AMP AND PART NUMBER THIS AREA.

206038-4
206038-2
206038-1
PART NUMBER

THIS DRAWING IS A CONTROLLED DOCUMENT.		BY: A. STAUB, BC 4/5/91	TE Connectivity
DIMENSIONS: INCHES		CHK: W. S. LENKER 7-24-92	
OTHER DIMENSIONS: MILLIMETERS		APP: K. BEAVER 7-24-92	RECEPTACLE ASSEMBLY, REV SEX, SERIES 2, 17-28, CPC
MATERIAL: THERMOPLASTIC, BLACK		FINISH: -	
PRODUCT SPEC: 108-10024		APPLICATION SPEC: -	RESTRICTED TO: -
WEIGHT: -		SIZE: A2	CAGE CODE: 00779
CUSTOMER DRAWING		DRAWING NO: C-206038	SCALE: 2:1
		SHEET: 1 of 1	REV: H1