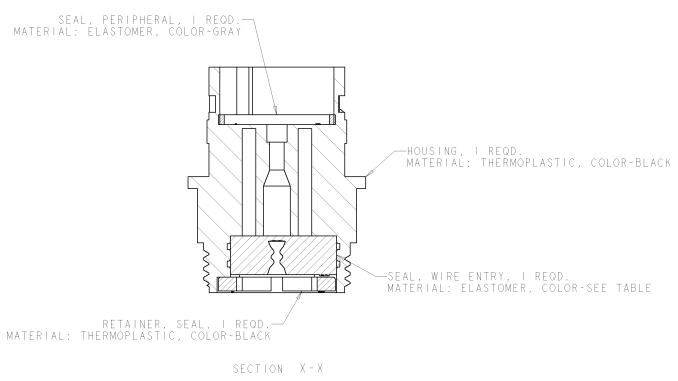
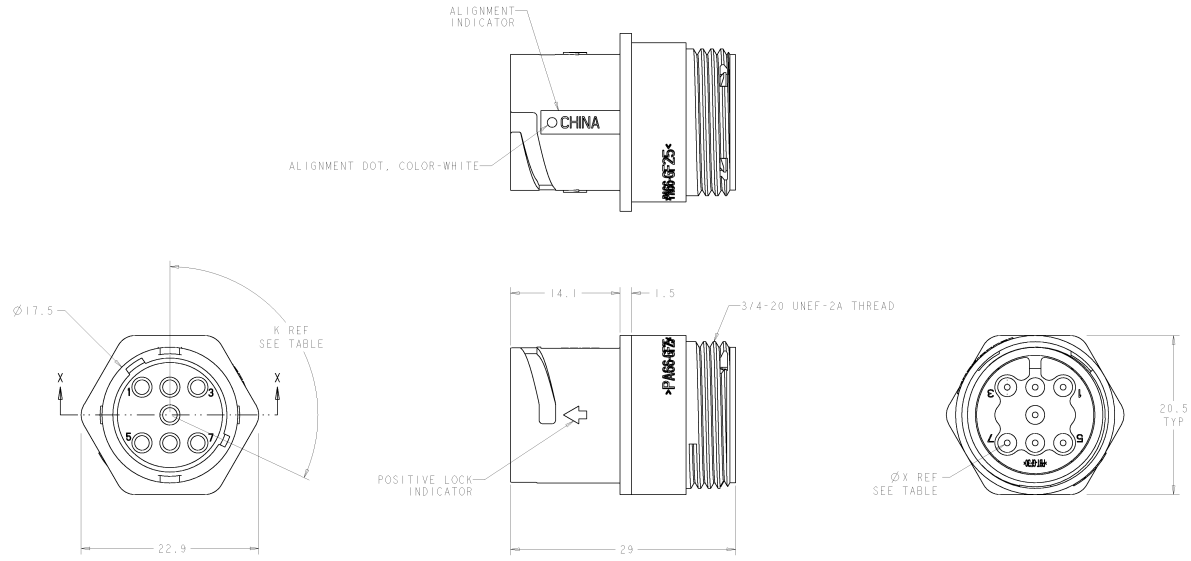


| REV | DATE | DESCRIPTION | BY | CHK | APP |
|-----|----------|-------------------------|---------|-----|-----|
| 1 | 05/20/04 | REVISED EC 0528-0326-03 | TONYBLA | DA | HW |
| 2 | 05/20/04 | REVISED EC 0528-0330-04 | TONYBLA | DA | HW |



QUALIFICATION TEST PENDING

| SEAL, WIRE ENTRY COLOR | Ø X REF | K REF | PART NUMBER |
|------------------------|---------|-------|-------------|
| YELLOW | Ø 0.75 | 135° | 1445827-04 |
| NATURAL | Ø 1.5 | 115° | 1445827-03 |
| NATURAL | Ø 1.5 | 135° | 1445827-02 |
| YELLOW | Ø 0.75 | 115° | 1445827-01 |

| | | | |
|--|--|--|---------------------|
| SYNOVA 7 POSITION, FREE HANGING, SEALED, MINI CPC | | Synova TONY BLANCHARD HARRISBURG, PA 17108-1808 | |
| PART NUMBER: 1445827-04 REV: 01 DATE: 05/20/04 BY: TONYBLA CHECKED: DA APPROVED: HW | SERIAL NUMBER: 20072001 DATE: 12/08/03 BY: TONYBLA | MATERIAL: SEE CALLOUT FINISH: - | CUSTOMER DRAWING: - |