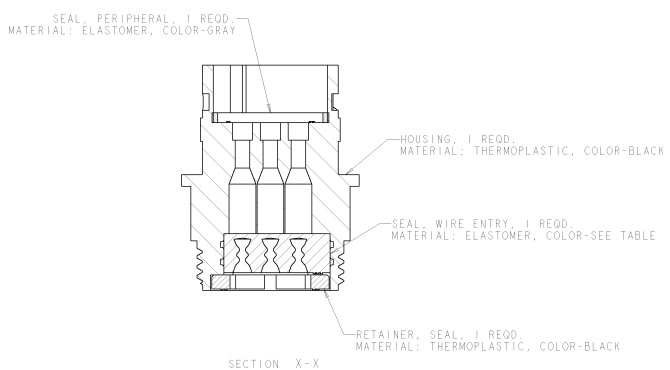
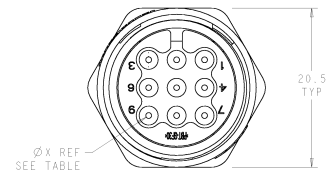
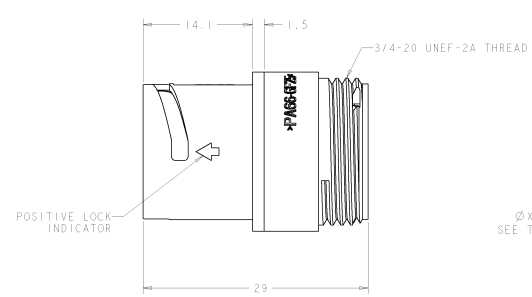
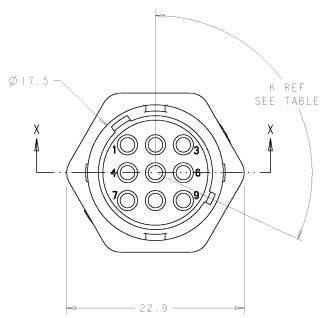
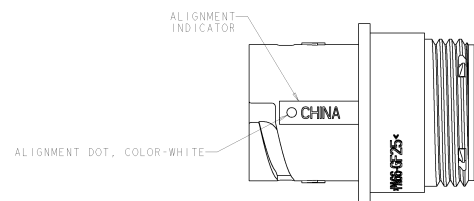


8	7	6	5	4	3	2	1
DATE MANUFACTURED	REVISIONS FOR IDENTIFICATION						
03/03/2004	BY THE ELECTRONIC COMPONENTS DIVISION						

REV	DATE	DESCRIPTION	BY	CHKD	APPD
1	03/03/04	REVISED EC 0538-0326-03	CHANGELI	DA	HW
2	03/03/04	REVISED EC 0538-0390-04	CHANGELI	DA	HW



QUALIFICATION TEST PENDING

SEAL, WIRE ENTRY COLOR	Ø X REF	K REF	PART NUMBER
YELLOW	Ø 0.75	135°	1445825-04
NATURAL	Ø 1.5	115°	1445825-03
NATURAL	Ø 1.5	135°	1445825-02
YELLOW	Ø 0.75	115°	1445825-01

MATERIAL: SEE CALLOUT FINISH: -		SPECIAL WELT: 20072001 DATE: 13 JUN 2003 RELEASE: 13 JUN 2003 QUALIFICATION SPEC: - REVISION: - CUSTOMER DRAWING: -		<b>Sigma</b> THE ELECTRONICS HARRISBURG, PA 17033-8808 ASSEMBLY, SIZE II, 9 POSITION, FREE HANGING, SEALED, MINI CFC PART: 1445825 (REV. 02) A 00778 1445825	
------------------------------------	--	--	--	---	--