

4

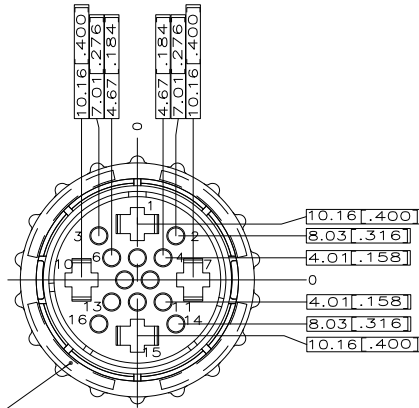
3

2

1

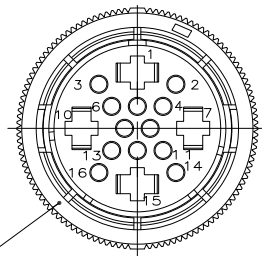
THIS DRAWING IS UNPUBLISHED. RELEASED FOR PUBLICATION. ALL RIGHTS RESERVED.

LOC	DIST	REVISIONS		
F	LNK	DESCRIPTION	DATE	BY
FT	4			
	C2	REVISED PER ECO-11-004820	11MAR11	RK HMR



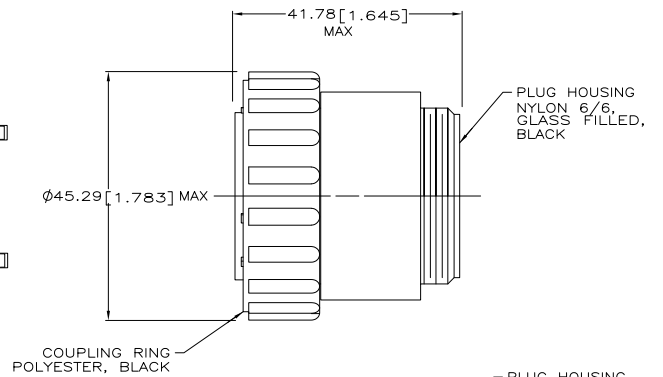
AMP PART NO  
THIS SURFACE

(-1 ONLY)

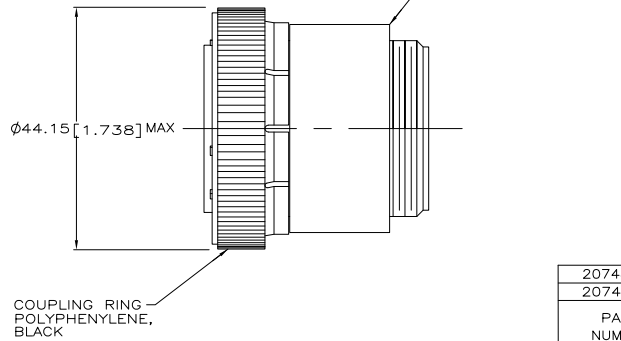


AMP PART NO  
THIS SURFACE

(-2 ONLY)



COUPLING RING  
POLYESTER, BLACK



COUPLING RING  
POLYPHENYLENE,  
BLACK

207485-2
207485-1
PART NUMBER

- 1 WILL ACCEPT (12) MULTIMATE & (4) TYPE XII SOCKET CONTACTS.
- 2 THIS CONNECTOR WILL ACCEPT INSULATION DIAMETERS UP TO .150.
- 3 CONTACT CAVITIES IDENTIFIED BY CHARACTERS ON FRONT AND REAR FACES OF CONNECTOR.

THIS DRAWING IS A CONTROLLED DOCUMENT.		DRW S. RIDGLEY BC	31 JUL 90	TE Connectivity
		CHK R. STONE	20 APR 91	
DIMENSIONS mm [INCHES]		APPRO K. BEAVER	03 APR 91	PLUG ASSEMBLY, SHELL SIZE 23, STANDARD SEX, SERIES 4, CPC
TOLERANCES UNLESS OTHERWISE SPECIFIED:		PRODUCT SPEC 108-10024	APPLICATION SPEC	
MATERIAL SEE CALLOUT		FINISH	WEIGHT	SIZE A2
				QTY CODE C=207485
				RESTRICTED TO
				CUSTOMER DRAWING
				SCALE 2:1
				SHEET 1 of 1
				REV G2