

4

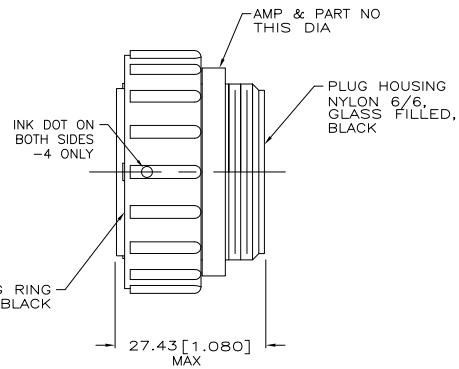
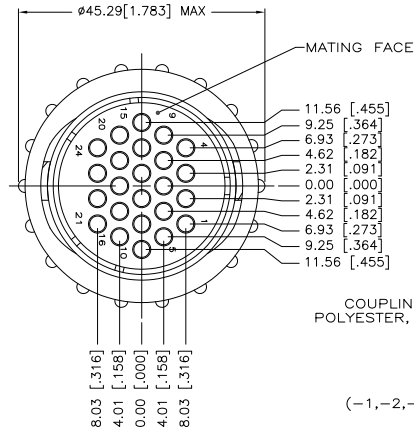
3

2

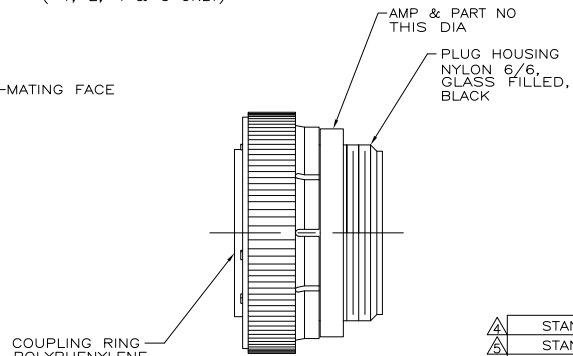
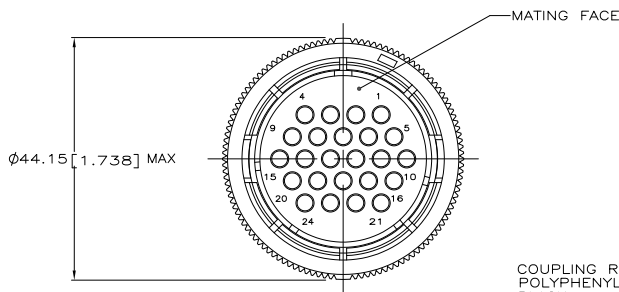
1

THIS DRAWING IS UNPUBLISHED. RELEASED FOR PUBLICATION. ALL RIGHTS RESERVED.

LOC	DIST	REVISIONS		
F	LNK	DESCRIPTION	DATE	BY
FT	0			
	C2	REVISED PER ECO-11-004587	11MAR11	RK HMR



(-1,-2,-4 & -5 ONLY)



(-3 ONLY)

STANDARD	206837-5
STANDARD	206837-4
STANDARD	206837-3
SMALL PACK	206837-2
STANDARD	206837-1
PACKAGING	PART NUMBER

- CONNECTOR WILL ACCEPT (24) MULTIMATE SOCKET CONTACTS.
- MAXIMUM INSULATION NOT TO EXCEED .150 DIA.
- CONTACT CAVITIES IDENTIFIED BY CHARACTERS ON FRONT AND REAR FACE OF CONNECTOR.

- WHITE DOT NEAR POSITION 1 ON WIRE ENTRY FACE.
- PRELIMINARY PART NUMBER.

DIMENSIONS		TOLERANCES UNLESS OTHERWISE SPECIFIED		DATE	
mm	[INCHES]	FRACTIONS	DECIMALS	DATE	BY
		0 PLC	± .005	31 JUL 90	S. RIDGLEY BC
		1 PLC	± .005	20 APR 91	R. STONE
		2 PLC	± .005	03 APR 91	K. BEAVER
		3 PLC	± .005		
		4 PLC	± .005		
		ANGLES	± .005		
MATERIAL	SEE CALLOUT	FINISH			
CUSTOMER DRAWING		SIZE	A2	CAGE CODE	00779
		DRAWING NO	C=206837		RESTRICTED TO
		SCALE	2:1	SHEET	1 of 1
		REV	G2		