

4

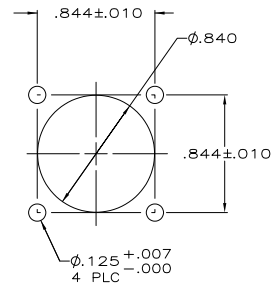
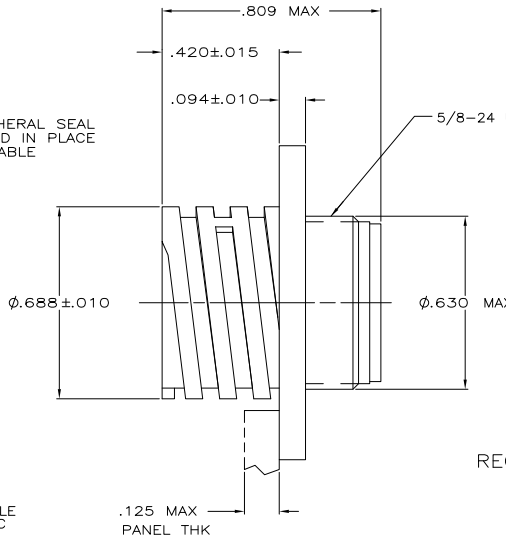
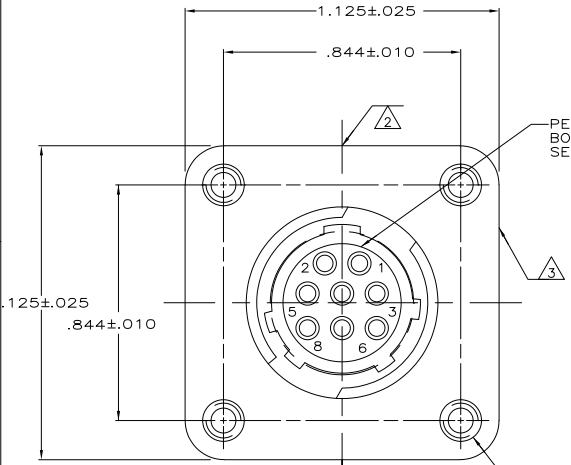
3

2

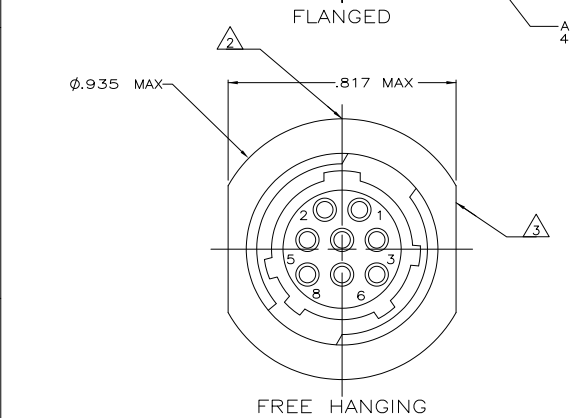
1

THIS DRAWING IS UNPUBLISHED. RELEASED FOR PUBLICATION. ALL RIGHTS RESERVED.

LOC	DIST	REVISIONS					
FT	0	P	LR	DESCRIPTION	DATE	BY	APPD
		H2		REVISED PER ECO-11-004587	11MAR11	RK	HMR



RECOMMENDED PANEL CUTOUT
SCALE 2:1



STANDARD	YES	4-40 BRASS THREADED INSERT	20	FLANGED	206433-6
SMALL PACK	NO	.125 DIA	20	FLANGED	206433-5
STANDARD	NO	.125 DIA	20DF WITHOUT INSULATION SUPPORT	FLANGED	△5 206433-4
STANDARD	NO	4-40 BRASS THREADED INSERT	20	FLANGED	206433-3
STANDARD	NO	-	20	FREE HANGING	206433-2
STANDARD	NO	.125 DIA	20	FLANGED	206433-1
PACKAGING	PERIPHERAL SEAL	A	WILL ACCEPT SOCKET CONTACT SIZE	TYPE	PART NUMBER

- 1 CONTACT CAVITIES IDENTIFIED BY CHARACTERS ON FRONT AND REAR FACE.
- △2 AMP MOLDED ON THIS SURFACE.
- △3 PART NUMBER AND DATE CODE MARKED ON THIS SURFACE.
- 4 206433-4 STRIPPED WIRE LENGTH SHOULD BE .193-.213 WITH .095 MAX INSULATION.
- △5 OBSOLETE PART NUMBER.

THIS DRAWING IS A CONTROLLED DOCUMENT.

DESIGNED BY	J. McCLINTON	DATE	1-25-08
CHECKED BY	S. STONE	DATE	1-26-08
APPROVED BY	M. KAPEZYNSKI	DATE	1-27-08
PRODUCT SPEC		APPLICATION SPEC	
WEIGHT		SIZE	A2
MATERIAL	NYLON, GLASS FILLED, FLAME RETARDED, BLACK	CAGE CODE	00779
FINISH		DRAWING NO	C-206433
		CUSTOMER DRAWING	

TE Connectivity
RECEPTACLE ASSEMBLY,
ARRANGEMENT 11-8
REVERSE SEX, CPC

SCALE 4:1 SHEET 1 of 1 REV H2