

4

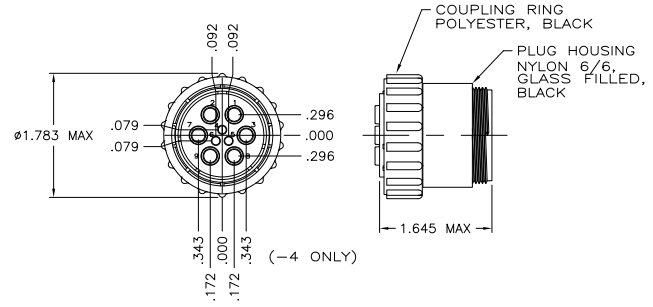
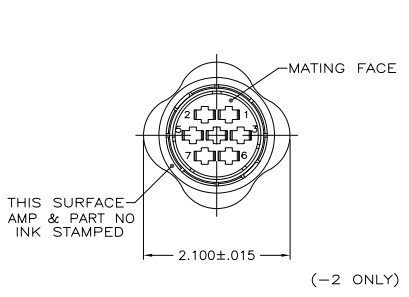
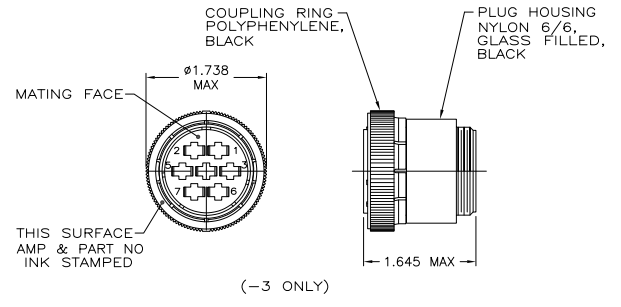
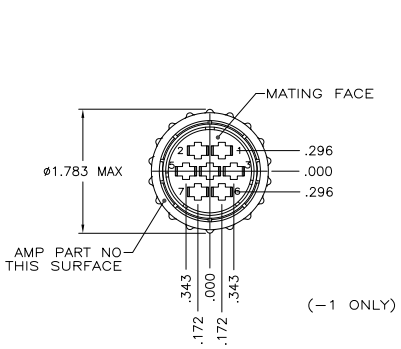
3

2

1

THIS DRAWING IS UNPUBLISHED. RELEASED FOR PUBLICATION. ALL RIGHTS RESERVED.

LOC		DIBT		REVISIONS		
P	LR	DESCRIPTION	DATE	BY	APPD	
J1		REVISED PER ECO-11-004820	11MAR11	RK	HMR	



- NOTES:**
- CONTACT CAVITIES IDENTIFIED BY CHARACTERS ON FRONT AND REAR FACE OF CONNECTOR.
  - 1, -2 AND -3 CONNECTORS WILL ACCEPT SEVEN (7) TYPE XII SOCKET CONTACTS.
  - 4 CONNECTOR WILL ACCEPT SIX (6) POWER BAND SOCKET CONTACTS AND THREE (3) TYPE III+ SIGNAL SOCKET CONTACTS.

PRELIMINARY	206136-4
	206136-3
OBSOLETE	206136-2
	206136-1
PART NUMBER	

THIS DRAWING IS A CONTROLLED DOCUMENT.		DR: S. BRIDGLEY BG 7/30/90	TE Connectivity
DIMENSIONS: INCHES		OK: B. STONE 04/28/91	
MATERIAL: SEE CALLOUT		FINISH: -	PLUG ASSEMBLY, SHELL SIZE 23, STANDARD SEX, CPC
PRODUCT SPEC: 108-10024		APPLICATION SPEC: -	
CUSTOMER DRAWING		SCALE: NTS	SHEET: 1 of 1