

4

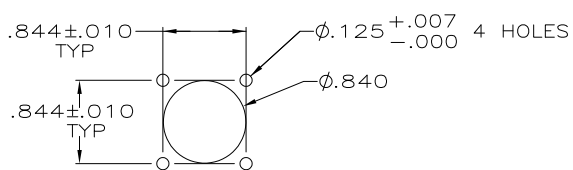
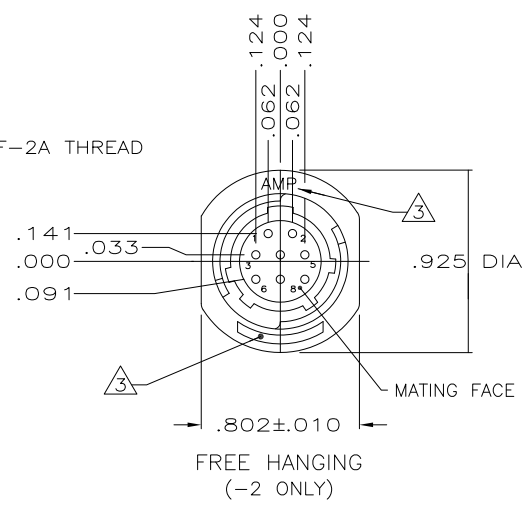
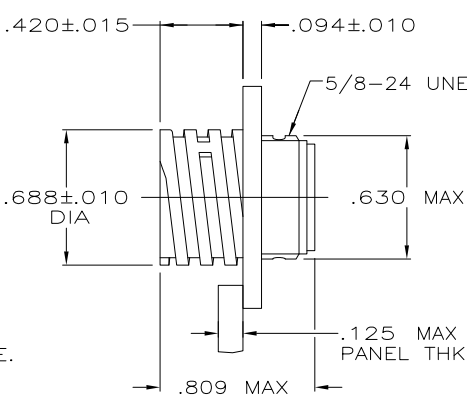
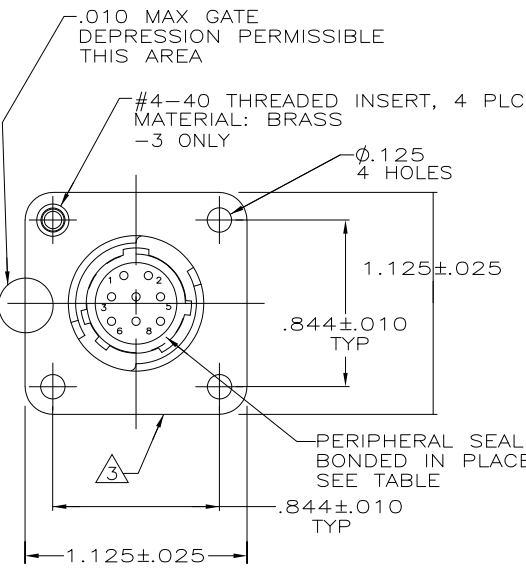
3

2

1

THIS DRAWING IS UNPUBLISHED. RELEASED FOR PUBLICATION  
 © COPYRIGHT - By - ALL RIGHTS RESERVED.

LOC	DIST	REVISIONS			
P	LTR	DESCRIPTION	DATE	DWN	APVD
N2		REVISED PER ECO-11-004587	11MAR11	RK	HMR



OBsolete	YES	YES	205841-4
	YES	NO	205841-3
	NO	NO	205841-2
	NO	NO	205841-1
THREADED INSERTS	PERIPHERAL SEAL	PART NUMBER	

PANEL CUTOUT  
SCALE 1:1

- CONTACT CAVITIES IDENTIFIED BY CHARACTERS ON FRONT AND REAR FACES OF CONNECTOR.
  - WILL ACCEPT (8) SIZE 20 PIN CONTACTS.
- AMP AND PART NUMBER THIS AREA.  
 OBSOLETE PARTS: OBSOLETE CIS STREAMLINING PER D.RENAUD/D.SINISI

THIS DRAWING IS A CONTROLLED DOCUMENT.		DWN 4/5/91 A.STAUB BG	TE Connectivity													
DIMENSIONS: INCHES		CHK 7-24-92 W.G.LENKER	RECEPTACLE ASSEMBLY, STD SEX, SERIES 2, 11-8, CPC													
TOLERANCES UNLESS OTHERWISE SPECIFIED:		APVD -	PRODUCT SPEC 108-10024													
<table border="1"> <tr><td>0 PLC</td><td>± -</td></tr> <tr><td>1 PLC</td><td>± -</td></tr> <tr><td>2 PLC</td><td>± -</td></tr> <tr><td>3 PLC</td><td>± .005</td></tr> <tr><td>4 PLC</td><td>± -</td></tr> <tr><td>ANGLES</td><td>± -</td></tr> </table>		0 PLC	± -	1 PLC	± -	2 PLC	± -	3 PLC	± .005	4 PLC	± -	ANGLES	± -	APPLICATION SPEC -	SIZE A3	CAGE CODE 00779
0 PLC	± -															
1 PLC	± -															
2 PLC	± -															
3 PLC	± .005															
4 PLC	± -															
ANGLES	± -															
MATERIAL THERMOPLASTIC, BLK	FINISH -	WEIGHT -	DRAWING NO C-205841	RESTRICTED TO -												
CUSTOMER DRAWING			SCALE 2:1	SHEET 1 OF 1 REV N2												