

4

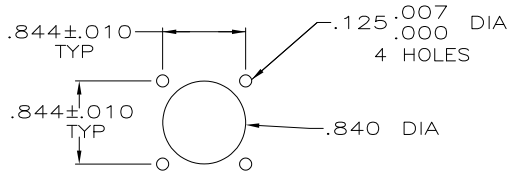
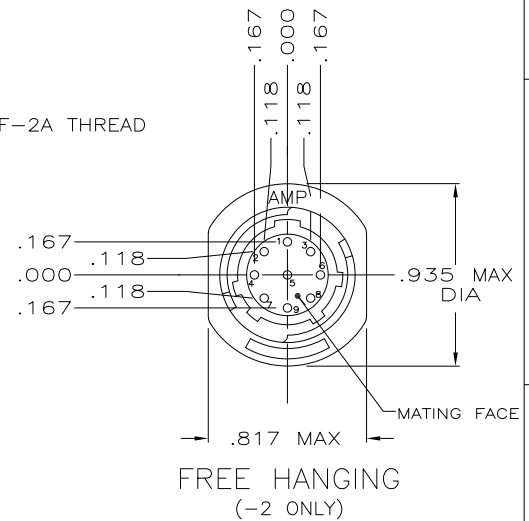
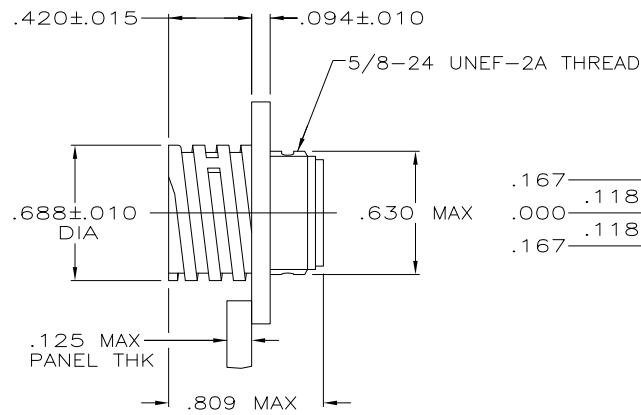
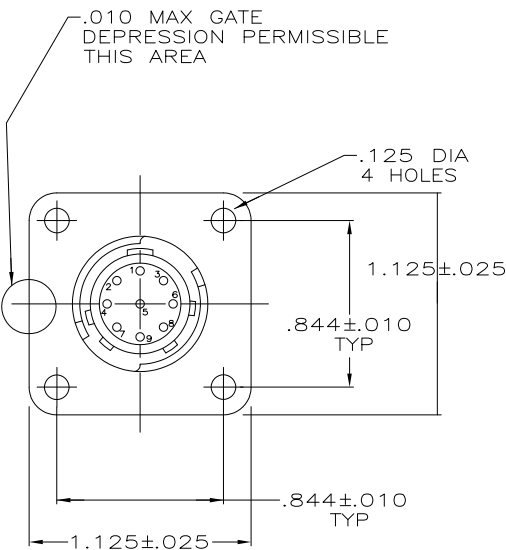
3

2

1

THIS DRAWING IS UNPUBLISHED. RELEASED FOR PUBLICATION
 © COPYRIGHT - By - ALL RIGHTS RESERVED.

| LOC | | DIST | | REVISIONS | | | | |
|-----|-----|-------------|---------------------------|-----------|------|---------|------|-----|
| P | LTR | DESCRIPTION | | | DATE | DWN | APVD | |
| FT | 0 | K1 | REVISED PER ECO-11-004587 | | | 11MAR11 | RK | HMR |



PANEL CUTOUT
SCALE 1:1

- CONTACT CAVITIES IDENTIFIED BY CHARACTERS ON FRONT AND REAR FACES OF CONNECTOR.
- WILL ACCEPT (9) SIZE 20 PIN CONTACTS.

206486-2
 206486-1
 PART NUMBER

| | | | | | | | |
|--|--|------------------|--------------------|--------------|--|--|--|
| THIS DRAWING IS A CONTROLLED DOCUMENT. | | DWN | 4/1/91 | | | | |
| | | CHK | A.STAUB BG 7-27-92 | | | | |
| DIMENSIONS: | | APVD | | NAME | | RECEPTACLE ASSEMBLY, STD SEX, SERIES 2, 11-9, CPC | |
| INCHES | | K.BEAVER 7-27-92 | | PRODUCT SPEC | | | |
| TOLERANCES UNLESS OTHERWISE SPECIFIED: | | APPLICATION SPEC | | SIZE | | RESTRICTED TO | |
| 0 PLC ± - | | WEIGHT | | CAGE CODE | | DRAWING NO | |
| 1 PLC ± - | | - | | A3 | | 00779 | |
| 2 PLC ± - | | - | | C | | 206486 | |
| 3 PLC ± .005 | | CUSTOMER DRAWING | | SCALE | | SHEET | |
| 4 PLC ± - | | - | | 2:1 | | 1 of 1 | |
| ANGLES ± - | | - | | - | | REV | |
| FINISH | | - | | - | | K1 | |
| MATERIAL | | - | | - | | - | |
| THERMOPLASTIC, BLACK | | - | | - | | - | |